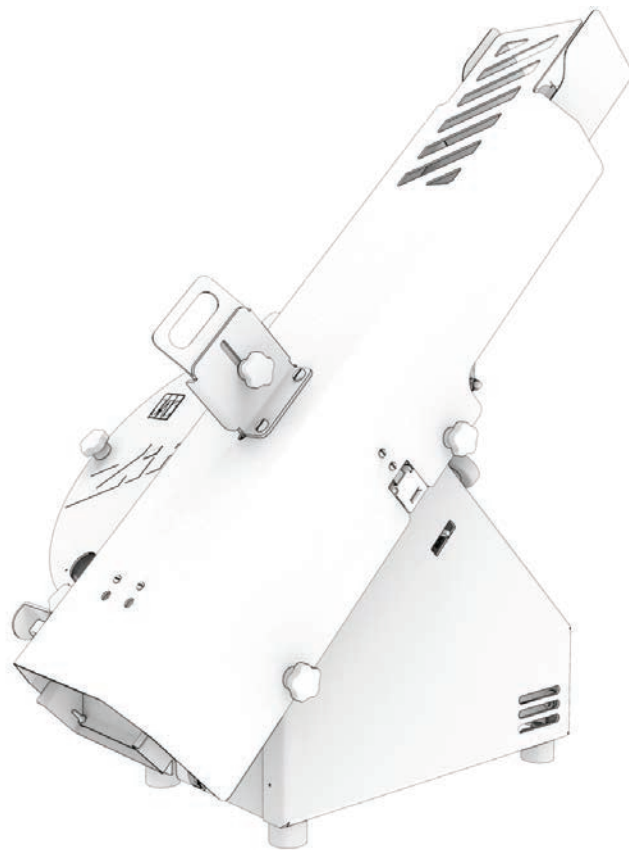




Traditionally Innovative

---

**ZIP**



---

EN – FR – DE – NL – RU – ES – IT – AR

V01-01-2017





<b>EN- Translation of original user instructions</b>	
Zip horizontal cut slicer .....	5
<b>FR- Notice d'utilisation originale</b>	
Trancheuse horizontale Zip.....	15
<b>DE- Übersetzung der Originalanleitung</b>	
Horizontalschneidemaschine Zip .....	25
<b>NL- Vertaling van de originele gebruikershandleiding</b>	
Horizontale snijmachine Zip.....	35
<b>RU- Перевод оригинального руководства по эксплуатации</b>	
Горизонтальная хлеборезка Zip .....	45
<b>ES- Traducción del manual de uso original</b>	
Cortadora horizontal Zip.....	55
<b>IT- Traduzione delle informazioni sull'utilizzo originali</b>	
Taglierina orizzontale Zip .....	65
<b>رئسي - ترجمة دليل الاءسءءءام الأءلي</b>	
ZIP ءءءة ءءء أفءية .....	75



<b>1</b>	<b>BEFORE COMMISSIONING</b> .....	<b>6</b>
<b>2</b>	<b>WARRANTY</b> .....	<b>6</b>
<b>3</b>	<b>WARNINGS</b> .....	<b>7</b>
<b>4</b>	<b>TECHNICAL SPECIFICATIONS</b> .....	<b>8</b>
4.1	<i>Technical specifications</i> .....	8
4.2	<i>Details of materials in direct contact with dough</i> .....	8
<b>5</b>	<b>INSTALLATION AND COMMISSIONING</b> .....	<b>8</b>
5.1	<i>Unpacking the machine:</i> .....	8
5.2	<i>Positioning:</i> .....	9
5.3	<i>Electrical connection:</i> .....	9
5.4	<i>Commissioning:</i> .....	10
5.5	<i>Danger:</i> .....	10
<b>6</b>	<b>CONTROLS AND SAFETY FEATURES</b> .....	<b>10</b>
6.1	<i>Controls:</i> .....	10
6.2	<i>Work area:</i> .....	10
6.3	<i>Safety features:</i> .....	10
<b>7</b>	<b>OPERATION</b> .....	<b>11</b>
<b>8</b>	<b>MAINTENANCE</b> .....	<b>11</b>
8.1	<i>Daily, by a trained operator</i> .....	11
8.2	<i>Annually, by an approved agent</i> .....	11
8.3	<i>Replacing the blade</i> .....	11
<b>9</b>	<b>CONSUMABLES</b> .....	<b>12</b>
9.1	<i>List of CONSUMABLES</i> .....	12
<b>10</b>	<b>MALFUNCTIONS</b> .....	<b>12</b>
<b>11</b>	<b>LIST OF COMPONENTS IN ILLUSTRATIONS</b> .....	<b>13</b>

---

## 1 BEFORE COMMISSIONING

---

Thank you for choosing a JAC system. It is essential that you read these instructions before installing and commissioning this machine. This will protect you and avoid damaging your machine.

These instructions refer to various illustrations in order to make them easier to understand. These illustrations are at the end of the instructions. Please refer to them whenever you see the following symbols: (fig.X, n°Y).

**To ensure that your machine gives you full satisfaction over the coming years, we invite you to familiarise yourself with the following advice:**

- Enlist the help of your approved agent for installation, commissioning and service support.
- In order to be covered by the 5-year warranty (see terms and conditions set out below), please have your dealer fill in the service booklet when your machine is being installed. The service booklet is at the back of your machine.

---

## 2 WARRANTY

---



**All JAC products are covered by a 5-year warranty.**

This warranty is valid for all parts on your machine, including electronic components but excluding consumables. The warranty takes effect on the date the equipment is installed.

**Subject to the following restrictive conditions:**

- Equipment acquired from an approved dealer;
- Installation carried out by an approved agent;
- Equipment used in accordance with the instructions for use and for the intended purpose for which it was manufactured;
- Equipment serviced on a daily basis in compliance with the instructions for use;
- Regular servicing by the approved agent in compliance with service specifications, with at least one service a year (servicing chargeable to the user).
- Exclusive use of genuine JAC parts.



**If there is no record of servicing by an approved agent and/or if the service booklet has not been filled in correctly, warranty cover will be limited to one year.**

**This warranty does not cover:**

- Replacement of consumables (§9);
- Parts not accepted as defective by our company;
- Problems due to improper use of the equipment;
- Problems due to installation not carried out by an approved agent;
- Parts or problems due to transit damage or improper handling.

**Repairing and/or replacing defective parts during the warranty period does not bring about an extension of said warranty.**

### 3 WARNINGS

---

It is most important that these user instructions be kept with the machine for any future reference. Should this machine be sold or transferred to another user, please ensure that the user instructions are handed over so that the new user can be familiarised with its operation and the warnings associated with it.



**These warnings are given for your safety and that of others. We would therefore ask you to read them carefully before installing and using the machine.**

This machine has been designed for use by authorised adults. Please therefore ensure that children do not touch it or use it as a toy.

This machine is intended exclusively for professional use.

It is dangerous to modify or attempt to modify the specifications of this machine.

After having installed this machine, please ensure that it is not standing on the power cable.

Follow the instructions given for its use.

This machine must be stored and used in an indoor room, protected from moisture and heat.

This machine must be adequately illuminated to operate it.

The noise level of this machine does not exceed 75 dB(A) in accordance with EN ISO 3744.

This machine must be used by one person at a time (unless otherwise specified).

This machine is intended for slicing baked bread which has cooled down.



**This machine is not intended for the following breads and the following materials:**

- Warm bread, stale bread.
- Frozen or partially thawed bread.
- Wholemeal breads with a hard crust and other types of bread with a hard crust.
- Rye breads.
- Non-edible products such as wood, plastic and similar materials.
- Any food that is not included in the bread and loaf cake category.

**The machine may be damaged when cutting bread or materials for which the machine is not intended.**



**Always disconnect the mains supply before cleaning the machine inside/outside and when carrying out maintenance.**

This machine is heavy. Take all necessary safety precautions when handling it.

---

## 4 TECHNICAL SPECIFICATIONS

---

### 4.1 Technical specifications

	<b>ZIP</b>
<b>Height (mm)</b>	775
<b>Width (mm)</b>	382
<b>Depth (mm)</b>	654
<b>Entry channel width (mm)</b>	120
<b>Entry channel height (mm)</b>	80
<b>Packaging (mm)</b>	1600 x 860 x 800
<b>Net weight (kg)</b>	35
<b>Net weight + packing (kg)</b>	45
<b>Motor power rating (kW)</b>	0.49
<b>Motor type</b>	Single-phase
<b>220 V - 50 Hz (A)</b>	5
<b>Capacity (revolutions/minute)</b>	120
<b>Blade diameter (mm)</b>	300
<b>Noise level (dB)</b>	<75

<b>Stainless steel base</b>	optional
<b>Tray support</b>	optional
<b>Bread recovery trays</b>	optional

### 4.2 Details of materials in direct contact with dough.

**Cutting channel:** STAINLESS STEEL 430

**Side guide:** STAINLESS STEEL 430

**Top guide:** STAINLESS STEEL 430

**Blade:** Stainless steel

**Loaf outfeed flap:** STAINLESS STEEL 430

---

## 5 INSTALLATION AND COMMISSIONING

---

### 5.1 Unpacking the machine:

Machines are delivered from our works on pallets, strapped and protected with cardboard. First of all, the packaging must be examined and any damage caused in transit must be declared directly to the carrier.

- A. Remove the cardboard and the packaging bag from the machine.
- B. Remove straps, taking particular care when they are released by cutting.
- C. Detach the machine from its pallet by removing the wooden battens wedging the feet.
- D. Take the machine off the pallet. Make sure you do this with at least two people in order to lower it as gently as possible onto the floor.



**After unpacking your machine, check that it has not been damaged in transit. Notify us of any defects.**

## 5.2 Positioning:

In order to achieve excellent performance and long-term reliability, choose a location that is:

Well ventilated, shielded from direct sunlight and away from sources of heat, with a flat and sturdy surface free from vibration.

## 5.3 Electrical connection:

**IMPORTANT:** This machine must be earthed.

It is recommended that the system be protected with a fuse and an RCD.

Your mains electricity supply to the machine must be protected as indicated below:

- North America: 15 A protection;
- Rest of the world: 16 A protection.

For machines equipped with a variable speed drive, it is imperative that they be connected to a junction box on a circuit fitted with a 300 mA RCD.

Note: Any problem resulting from any other type of connection will not be covered under warranty.

Before connecting your machine to the mains supply and in order to prevent the motor from burning out when it is switched on, it is important to check that the mains supply matches the machine specification (see machine nameplate).

This machine complies with Machinery Directives 2006/42, 2006/95, 2004/108 and is CE marked as proof of this.

Please familiarise yourself with the safety pictograms displayed on the machine:



This pictogram warns that the blade requires 2 minutes to come to a complete standstill after switching off the machine. You will find it on the back of the machine, near the main switch (fig.10, n°23).



This pictogram indicates a cut hazard. You will find it at the front of the machine around the bread outfeed area (fig.10, n°24).

You will find the circuit diagram for the machine on the back of the electrical enclosure housing (fig.10, n°25).

#### **5.4 Commissioning:**

Before commissioning, ensure that there are no extraneous objects interfering with the machine's moving parts.

Ensure first of all (after verifying electric compatibility) that the motor is rotating in the right direction. If the blade stops in the cutting channel and the machine goes into error mode, disconnect immediately and switch two phase wires in the plug.

For machine operation, please refer to the "Operation" chapter.

#### **5.5 Danger:**

If the user or the machine is in danger, you must use the main isolator switch to cut the power supply to the machine.

Remove the plug from the power socket before any maintenance and/or servicing work;  
Do not touch the blade, even if it is stationary.

To replace the blade, have the work done by your approved dealer.

Always wear cut-resistant gloves when replacing the blade or when working in the vicinity of the blade.

Any maintenance work or replacement of parts must be carried out by a qualified individual.

---

## **6 CONTROLS AND SAFETY FEATURES**

---

### **6.1 Controls:**

Your slicer is equipped as standard with a start switch (fig.2, n°13).

### **6.2 Work area:**

The work area is at the front of the machine (fig.3, n°15).

### **6.3 Safety features:**

This machine is equipped with:

**A safety switch** (fig.7, n°18)

Which prevents the machine from starting when the cover of the machine is removed (fig.1, n°2).

**A loaf outfeed flap** (fig.7, n°17)

Which prevents the blade on the machine from being touched (fig.9, n°19).

---

## 7 OPERATION

---

### Setting the machine (fig.4,5)

- A. Insert the loaf into the top of the channel on the machine and set the width of the channel by unscrewing the two knobs and sliding the side guide up to the loaf.
- B. Repeat with the top guide adjustment knob.
- C. Set the loaf cutting depth as shown by the indicator (fig.5, n°16).
- D. Set the loaf cutting height using the knob.

### Operating procedure

- A. Start the machine using the switch (fig.2, n°13) (fig.5).
- B. Insert the loaf into the top of the channel on the machine.
- C. Collect the sliced loaf (fig.6).

---

## 8 MAINTENANCE

---

### 8.1 Daily, by a trained operator.

- A. Clean the tables (fig.1, n°1, 10) using a brush.
- B. Use a dry cloth to clean the inside.
- C. Use a damp cloth to clean the outside.

### 8.2 Annually, by an approved agent.

- A. Remove the plug from the socket (fig.2, n°14).
- B. Check the condition of the cutting blade (fig.9, n°19).
- C. If you notice a deterioration in cutting quality, the cutting blade must be replaced (JAC part number: 610022 in the JAC Spare Parts catalogue).
- D. If the blade needs to be replaced, do so in accordance with the blade replacement procedure (fig.8,9).
- E. Clean with a brush and vacuum the inside of the machine.

Check that your approved agent has recorded his work in your service booklet in order to maintain your 5-year warranty cover.

### 8.3 Replacing the blade.

(fig.8,9)

Always wear cut-resistant gloves (EN 388:2003 version B= 5) and safety footwear when replacing the blade or when working in the vicinity of the blade.

Having ensured that the plug on your machine (fig.2, n°14) has been disconnected from the mains:

Replace the blade:

- A. Unscrew the three knobs located on top of the cover.
- B. Unscrew the two knobs located on the right-hand side of the cover.
- C. Remove the cover from the machine.
- D. Insert a screwdriver in the hole in the blade ensuring that the screwdriver also passes through the hole provided in the machine frame in order to prevent the blade from rotating. Use a 17 mm Allen key to release the blade. NB: This nut is a reverse (left-hand) threaded nut. Be sure therefore to unscrew it clockwise.

E. Remove the nut (fig.9, n°21), washer (fig.9, n°22) and flange (fig.9, n°20) in order to remove the blade (fig.9, n°19).

F. Remove the blade with a rotating movement in order to get it clear of the side guide.

Repeat steps F, E, D in this order, bearing in mind that the nut (fig.9, n°19) needs to be tightened anticlockwise.

Connect your machine to the mains supply; it is now ready.

Check that your approved agent has recorded his work in your service booklet in order to maintain your 5-year warranty cover.

Please note that your blade can be sharpened; contact your approved agent for further information.

---

## 9 CONSUMABLES

---

When ordering spare parts, check with your approved agent which part is required based on the spare parts catalogue issued by the manufacturer.

Always quote the machine serial number shown on the nameplate.

Your agent will place the orders with JAC.

### 9.1 List of CONSUMABLES

ITEM CODE	DESCRIPTION	MODEL
6110022	CIRCULAR BLADE, Ø 200 MM	ALL
5310113	LOAF HOLDER SPRING	ALL
5310107	MOTOR SPRING	ALL

---

## 10 MALFUNCTIONS

---

Problem	Check
<b>The machine will not start</b>	Connect the machine using the cable (fig.2, n°14).
	Switch on the main switch (fig.2, n°13).
	Check that the cover has been replaced correctly (fig.2, n°3, 5, 7).
<b>The machine is running, but the loaves are damaged or cut unevenly</b>	Check whether the blade needs replacing (fig.8).
	Leave the bread to cool down for a few hours.
	Feed in a loaf of the specified size.
	Feed in a loaf that is sufficiently firm.



**WARNING:** The machine must be isolated from the power supply before attempting any work on it.



Should the problem persist, please contact your technician.

---

## 11 LIST OF COMPONENTS IN ILLUSTRATIONS

---

Figure	Item	Description
1	1	Loaf infeed channel
	2	Cover
	3	Cover fixing
	4	Channel width setting
	5	Cover fixing
	6	Viewing window
	7	Cover fixing
	8	Channel width setting
	9	Bread height setting
	10	Outfeed channel
2	11	Cutting height setting
	12	Cover fixing
	13	Main switch
	14	Power cable
3	15	Work area
5	16	Cutting depth indicator
7	17	Outfeed flap
	18	Safety cut-out
9	19	Blade
	20	Blade flange
	21	Blade nut
	22	Washer
10	23	"Blade stopping time" sign
	24	"Cut hazard" sign
	25	Circuit diagram
	26	Cutting depth sign



<b>1</b>	<b>AVANT LA MISE EN SERVICE .....</b>	<b>16</b>
<b>2</b>	<b>GARANTIE .....</b>	<b>16</b>
<b>3</b>	<b>AVERTISSEMENTS .....</b>	<b>17</b>
<b>4</b>	<b>CARACTERISTIQUES TECHNIQUES .....</b>	<b>18</b>
4.1	<i>Caractéristiques techniques .....</i>	<i>18</i>
4.2	<i>Détail des matériaux en contact direct avec la pâte .....</i>	<i>18</i>
<b>5</b>	<b>INSTALLATION ET MISE EN SERVICE .....</b>	<b>18</b>
5.1	<i>Déconditionnement de la machine .....</i>	<i>18</i>
5.2	<i>Emplacement .....</i>	<i>19</i>
5.3	<i>Raccordement électrique .....</i>	<i>19</i>
5.4	<i>Mise en service .....</i>	<i>20</i>
5.5	<i>Danger .....</i>	<i>20</i>
<b>6</b>	<b>ORGANE DE COMMANDE ET DE SECURITE .....</b>	<b>20</b>
6.1	<i>Organe de commande .....</i>	<i>20</i>
6.2	<i>Zone de travail .....</i>	<i>20</i>
6.3	<i>Organes de sécurité .....</i>	<i>20</i>
<b>7</b>	<b>UTILISATION .....</b>	<b>21</b>
<b>8</b>	<b>ENTRETIEN .....</b>	<b>21</b>
8.1	<i>Journalier par un utilisateur formé .....</i>	<i>21</i>
8.2	<i>Annuel par un agent agréé .....</i>	<i>21</i>
8.3	<i>Changement de la lame .....</i>	<i>21</i>
<b>9</b>	<b>CONSOMMABLES .....</b>	<b>22</b>
9.1	<i>Liste des CONSOMMABLES .....</i>	<i>22</i>
<b>10</b>	<b>INCIDENTS DE FONCTIONNEMENT .....</b>	<b>22</b>
<b>11</b>	<b>LISTE DES COMPOSANTS SUR LES FIGURES .....</b>	<b>23</b>

---

## 1 AVANT LA MISE EN SERVICE

---

Merci d'avoir choisi une solution JAC. Veuillez impérativement lire ce mode d'emploi avant d'installer et de mettre en service cette machine. Vous pourrez ainsi vous protéger et éviter de détériorer votre machine.

Cette notice fait référence à différentes figures afin de faciliter la compréhension des instructions. Ces figures se trouvent en fin de notice. Veuillez vous y référer dès que vous rencontrez les symboles suivants (fig.x, n°y).

**Pour que votre machine vous donne entière satisfaction au cours des prochaines années, nous vous invitons à prendre connaissance des conseils suivants :**

- Faites-vous aider par votre agent agréé pour l'installation, la mise en service et le suivi.
- Afin de pouvoir bénéficier de la garantie de 5 ans (voir conditions reprises ci-après), faites compléter le carnet d'entretien par votre distributeur lors de l'installation de votre machine. Ce carnet d'entretien se trouve à l'arrière de votre machine.

---

## 2 GARANTIE

---



**JAC offre une garantie de 5 ans sur tous ses produits.**

Cette garantie est valable sur toutes les pièces de votre machine, pièces électroniques incluses, hors consommables. La garantie prend effet à la date d'installation du matériel.

**Sous les conditions restrictives suivantes :**

- matériel acquis auprès d'un revendeur agréé ;
- installation effectuée par un agent agréé ;
- utilisation du matériel conformément aux indications du mode d'emploi et dans le but pour lequel il a été fabriqué ;
- matériel quotidiennement entretenu conformément aux indications du mode d'emploi ;
- entretiens suivis par l'agent agréé conformément aux spécifications d'entretien avec, au minimum, un entretien par an (entretien à charge de l'utilisateur) ;
- utilisation exclusive des pièces d'origine JAC.



**S'il n'y a pas de suivi d'entretien par un agent agréé et/ou que le carnet d'entretien n'est pas correctement complété, la garantie se limite à un an.**

**Cette garantie ne couvre pas :**

- le remplacement des consommables (§9) ;
- les pièces non reconnues défectueuses par nos services ;
- les problèmes résultant d'une utilisation anormale du matériel ;
- les problèmes résultant d'une installation non effectuée par un agent agréé ;
- les pièces ou les problèmes résultant d'un dégât de transport ou d'une manutention inappropriée.

**Une réparation et/ou un remplacement de pièces défectueuses effectué(es) durant la période de garantie n'a (n'ont) pas pour effet de prolonger ladite garantie.**



### 3 AVERTISSEMENTS

---

Il est très important que cette notice d'utilisation soit conservée avec l'appareil pour toute future consultation. Si cet appareil devait être vendu ou transféré à une autre personne, assurez-vous que la notice d'utilisation soit remise de façon à ce que l'utilisateur puisse être informé de son fonctionnement et des avertissements s'y rapportant.



**Ces avertissements sont donnés pour votre sécurité et pour celle d'autrui. Nous vous prions donc de bien vouloir les lire attentivement avant d'installer et d'utiliser l'appareil.**

Cette machine a été conçue pour être utilisée par des adultes autorisés. Veuillez donc à ce que les enfants n'y touchent pas ou qu'ils ne l'utilisent pas comme un jouet.

Cette machine est exclusivement réservée à un usage professionnel.

Il est dangereux de modifier ou d'essayer de modifier les caractéristiques de cette machine.

Après l'installation de cette machine, assurez-vous qu'elle ne repose pas sur le câble d'alimentation.

Suivez les instructions données pour l'utilisation.

Cette machine doit être stockée et utilisée à l'intérieur, dans un local à l'abri de l'humidité et de la chaleur.

Cette machine doit être suffisamment éclairée pour effectuer le travail.

Cette machine a un niveau sonore inférieur à 75 dB(A), suivant la norme EN ISO 3744.

Cette machine doit être utilisée par une seule personne à la fois (sauf prescription contraire).

Cette machine est destinée au tranchage de pains cuits et tempérés.



**Cette machine n'est pas destinée aux pains et matériaux suivants :**

- pains chauds, pains rassis ;
- pains congelés, ou partiellement décongelés ;
- pains complets avec une croûte dure et d'autres types de pain avec une croûte dure ;
- pains de seigle ;
- produits non comestibles comme le bois, le plastique et matériaux similaires ;
- tout aliment qui ne fait pas partie de la catégorie des pains ou des cakes.

**La machine peut être endommagée lors de la coupe de pains ou matériaux non autorisés.**



**Toujours débrancher la prise de courant avant de procéder au nettoyage intérieur/extérieur de l'appareil et aux opérations de maintenance.**

Cet appareil est lourd. Prenez toutes les précautions de sécurité lors de sa manutention.

---

## 4 CARACTERISTIQUES TECHNIQUES

---

### 4.1 Caractéristiques techniques

	<b>ZIP</b>
<b>Hauteur (mm)</b>	775
<b>Largeur (mm)</b>	382
<b>Profondeur (mm)</b>	654
<b>Largeur du canal d'entrée (mm)</b>	120
<b>Hauteur du canal d'entrée (mm)</b>	80
<b>Colisage (mm)</b>	1600 x860 x 800
<b>Poids net (kg)</b>	35
<b>Poids NET + emballage (kg)</b>	45
<b>Puissance moteur (kW)</b>	0,49
<b>Type moteur</b>	Monophasé
<b>220v - 50Hz (A)</b>	5
<b>Capacité (tours/minute)</b>	120
<b>Diamètre de lame (mm)</b>	300
<b>Niveau sonore (dB)</b>	<75

<b>Socle inox</b>	option
<b>Support à bacs</b>	option
<b>Bacs récupérateurs</b>	option

### 4.2 Détail des matériaux en contact direct avec la pâte

**Canal de coupe** : INOX 430

**Guide latéral** : INOX 430

**Guide supérieur** : INOX 430

**Lame** : INOX

**Flap de sortie de pain** : INOX 430

---

## 5 INSTALLATION ET MISE EN SERVICE

---

### 5.1 Déconditionnement de la machine

Les machines sont livrées, sorties de nos ateliers, sur palettes, sanglées et protégées par du carton. Avant toute chose, l'emballage doit être observé et tout dommage dû au transport doit être déclaré directement au livreur.

- A. Retirer le carton ainsi que le sachet d'emballage de la machine.
- B. Enlever les sangles en faisant particulièrement attention à la détente de ces dernières lors de leur sectionnement.
- C. Désolidariser la machine de sa palette en enlevant les lattes de bois qui bloquent les pieds.
- D. Descendre la machine de la palette. Veiller à faire cette manipulation à au moins deux personnes afin d'amortir au mieux le contact avec le sol.



**Après déballage de la machine, vérifier qu'elle n'a pas subi de dommages pendant le transport. Nous signaler toute anomalie.**

## 5.2 Emplacement

Pour obtenir d'excellentes performances et une fiabilité à long terme, choisir un emplacement :

Bien ventilé, à l'abri du rayonnement solaire direct et éloigné des sources de chaleur, avec une surface plane et robuste exempte de vibrations.

## 5.3 Raccordement électrique

**IMPORTANT** : Mise à la terre obligatoire.

Il est conseillé de protéger l'installation avec un fusible et un disjoncteur différentiel.

Votre installation électrique alimentant la machine doit être protégée comme indiqué ci-dessous :

- Amérique du Nord : Protection 15A ;

- Reste du monde : Protection 16A.

Pour les machines équipées d'un variateur, celles-ci doivent être impérativement raccordées à une boîte de dérivation sur une ligne équipée d'un différentiel de 300mA.

Note : Tout problème résultant d'un autre type de raccordement ne sera pas pris en compte par la garantie.

Avant de connecter la machine au réseau et afin d'éviter une mise hors service du moteur à la mise sous tension, il est important de vérifier la concordance du réseau d'alimentation avec les caractéristiques de la machine (voir plaque signalétique de celle-ci).

Cet appareil est conforme aux Directives Machines 2006/42, 2006/95, 2004/108 et porte le marquage CE attestant cette conformité.

Veillez prendre connaissance des pictogrammes de sécurité figurant sur la machine :



Pictogramme signalant un temps d'arrêt complet de lame de 2 min après extinction de la machine. Vous le retrouverez à l'arrière de la machine, près de l'interrupteur principal (fig.10, n°23).



Pictogramme signalant un risque de coupure. Vous le retrouverez à l'avant de la machine autour de la zone de sortie du pain (fig.10, n°24).

Vous trouverez le schéma électrique de la machine sur le verso du boîtier du coffret électrique (fig.10, n°25).

## 5.4 Mise en service

Avant la mise en service, s'assurer de l'absence de tout objet parasite sur les parties en mouvement de la machine.

S'assurer tout d'abord (après vérification des concordances électriques) que le moteur tourne dans le bon sens. Si la lame s'arrête dans le canal de coupe et que la machine se met en erreur, débrancher immédiatement et inverser, dans la prise, deux fils de phase.

Pour l'utilisation de la machine, se reporter au chapitre « Utilisation ».

## 5.5 Danger

En cas de danger pour l'utilisateur ou pour la machine, utiliser l'interrupteur général pour couper l'alimentation de la machine.

Retirer la fiche de la prise électrique avant toute opération de maintenance et d'entretien.  
Ne pas toucher la lame, même à l'arrêt.

Pour le changement de lame, faire faire l'opération par votre distributeur agréé.

Veiller à toujours porter des gants de protection anti-coupure lors du remplacement de la lame ou lors d'une opération au voisinage des lames.

Toute opération de maintenance ou de remplacement de pièce doit être effectuée par une personne qualifiée.

---

## 6 **ORGANE DE COMMANDE ET DE SECURITE**

---

### 6.1 Organe de commande

Votre trancheuse est équipée de série d'un interrupteur de mise en route (fig.2, n°13).

### 6.2 Zone de travail

La zone de travail se situe devant la machine (fig.3, n°15).

### 6.3 Organes de sécurité

Cette machine est équipée :

**D'un interrupteur de sécurité** (fig.7, n°18)

Qui empêche la machine de démarrer lorsqu'on ôte la coiffe de la machine (fig.1, n°2).

**D'un flap de sortie de pain** (fig.7, n°17)

Qui empêche de pouvoir toucher la lame de la machine (fig.9, n°19).

---

## 7 UTILISATION

---

### Réglage de la machine (fig.4, 5)

- A. Introduire le pain dans le haut du canal de la machine et régler la largeur du canal en dévissant les deux molettes et en faisant glisser le guide latéral jusqu'au pain.
- B. Faire de même avec la molette de réglage du guide supérieur.
- C. Régler la profondeur de coupe du pain suivant l'indication du voyant (fig.5, n°16).
- D. Régler la hauteur de coupe dans le pain à l'aide de la molette.

### Procédure d'utilisation

- A. Mettre en route la machine à l'aide de l'interrupteur (fig.2, n°13) (fig.5).
- B. Introduire le pain dans le haut du canal de la machine.
- C. Réceptionner le pain tranché (fig.6).

---

## 8 ENTRETIEN

---

### 8.1 Journalier par un utilisateur formé

- A. Nettoyer les tables (fig.1, n°1, 10) à l'aide d'une brosse.
- B. Utiliser un chiffon sec pour le nettoyage intérieur.
- C. Pour l'entretien extérieur, utiliser un chiffon humide.

### 8.2 Annuel par un agent agréé

- A. Retirer la fiche de la prise (fig.2, n°14).
- B. Vérifier l'état de la lame de coupe (fig.9, n°19).
- C. Si une dépréciation de la qualité de la coupe est notée, il faut procéder au remplacement de la lame de coupe (référence JAC : 610022 du catalogue de Pièces de Rechange JAC).
- D. Si elle est à changer, remplacer la lame conformément à la procédure de changement de la lame de coupe (fig.8, 9).
- E. Nettoyer à la brosse et aspirer l'intérieur de la machine.

Bien vérifier que votre agent agréé enregistre son intervention dans votre carnet d'entretien afin de conserver votre garantie de 5 ans.

### 8.3 Changement de la lame

(fig.8, 9)

Veiller à toujours porter des gants de protection anti-coupure (Norme EN 388 : 2003 indice B= 5) et des chaussures de sécurité lors du remplacement de la lame ou lors d'une opération au voisinage des lames.

Après s'être assuré que la fiche de la machine (fig.2, n°14) est bien déconnectée du secteur :

Remplacer la lame :

- A. Dévisser les trois molettes situées sur le haut de la coiffe.
- B. Dévisser les deux molettes situées sur le côté droit de la coiffe.
- C. Retirer la coiffe de la machine.
- D. Introduire un tournevis dans le trou de la lame en s'assurant que le tournevis passe également dans le trou prévu dans le châssis de la machine afin de bloquer la rotation de la lame. Utiliser une clé hexagonale de 17 mm afin de desserrer la lame. Attention, cet écrou est

un écrou à filet contraire. Il faut donc veiller à desserrer dans le sens des aiguilles d'une montre.

E. Enlever l'écrou (fig.9, n°21), la rondelle (fig.9, n°22) et la flasque (fig.9, n°20) afin de retirer la lame (fig.9, n°19).

F. Retirer la lame en faisant un mouvement de rotation afin de la sortir du guide latéral.

Réitérer les étapes F, E, D dans cet ordre tout en tenant compte qu'il faut visser l'écrou (fig.9, n°19) dans le sens inverse des aiguilles d'une montre.

Connecter la machine au réseau électrique, la machine est prête.

Bien vérifier que votre agent agréé enregistre son intervention dans votre carnet d'entretien afin de conserver votre garantie de 5 ans.

Veiller à noter que votre lame est réaffûtable, contacter votre agent agréé pour plus d'informations.

---

## 9 CONSOMMABLES

---

Lors d'une commande d'une pièce de rechange, vérifier avec votre agent agréé de quelle pièce il s'agit sur la base du catalogue de pièces de rechange émis par le fabricant.

Toujours préciser le numéro de machine comme indiqué sur la plaque signalétique.

Votre agent effectue les commandes auprès de JAC.

### 9.1 Liste des CONSOMMABLES

CODE ARTICLE	LIBELLE	MODELE
6110022	LAME CIRCULAIRE Ø200MM	TOUTES
5310113	RESSORT DE PRESSE PAIN	TOUTES
5310107	RESSORT MOTEUR	TOUTES

---

## 10 INCIDENTS DE FONCTIONNEMENT

---

Problème	Vérification
<b>La machine ne se met pas en route</b>	Brancher la machine à l'aide du câble (fig.2, n°14)
	Enclencher l'interrupteur principal (fig.2, n°13)
	Vérifier que la coiffe est bien remise en place (fig.2, n°3, 5, 7)
<b>La machine fonctionne, mais les pains sont endommagés ou coupés de manière irrégulière</b>	Vérifier s'il ne faut pas remplacer la lame (fig.8)
	Laisser le pain refroidir quelques heures
	Introduire un pain aux dimensions acceptées
	Introduire un pain assez ferme

**ATTENTION** : La machine doit obligatoirement être mise hors tension pour toute intervention.



Si le problème persiste, veuillez contacter votre technicien.

---

## 11 LISTE DES COMPOSANTS SUR LES FIGURES

---

Figure	Bulle	Nom
1	1	Canal d'entrée du pain
	2	Coiffe
	3	Fixation de la coiffe
	4	Réglage de largeur de canal
	5	Fixation de la coiffe
	6	Fenêtre de visualisation
	7	Fixation de la coiffe
	8	Réglage de largeur de canal
	9	Réglage de hauteur de pain
	10	Canal de sortie
2	11	Réglage de hauteur de la coupe
	12	Fixation de la coiffe
	13	Interrupteur principal
	14	Câble d'alimentation
3	15	Zone de travail
5	16	Témoin de profondeur de coupe
7	17	Flap de sortie
	18	Sécurité
9	19	Lame
	20	Flasque de lame
	21	Ecrou de lame
	22	Rondelle
10	23	Signalétique « temps d'arrêt de la lame »
	24	Signalétique « risque de coupure »
	25	Schéma électrique
	26	Signalétique de profondeur de coupe





<b>1</b>	<b>VOR DER INBETRIEBNAHME</b> .....	<b>26</b>
<b>2</b>	<b>GARANTIE</b> .....	<b>26</b>
<b>3</b>	<b>WARNHINWEISE</b> .....	<b>27</b>
<b>4</b>	<b>TECHNISCHE DATEN</b> .....	<b>28</b>
4.1	<i>Technische Daten</i> .....	28
4.2	<i>Materialien der Teile, die in Kontakt mit dem Schnittgut kommen</i> .....	28
<b>5</b>	<b>INSTALLATION UND INBETRIEBNAHME</b> .....	<b>29</b>
5.1	<i>Auspacken der Maschine:</i> .....	29
5.2	<i>Aufstellung:</i> .....	29
5.3	<i>Anschluss an die Stromversorgung:</i> .....	29
5.4	<i>Inbetriebnahme:</i> .....	30
5.5	<i>Gefahr:</i> .....	30
<b>6</b>	<b>BEDIENELEMENT UND SICHERHEITSVORRICHTUNG</b> .....	<b>30</b>
6.1	<i>Bedienelement:</i> .....	30
6.2	<i>Arbeitsbereich:</i> .....	30
6.3	<i>Sicherheitseinrichtungen:</i> .....	31
<b>7</b>	<b>BEDIENUNG</b> .....	<b>31</b>
<b>8</b>	<b>INSTANDHALTUNG</b> .....	<b>31</b>
8.1	<i>Taglich durch einen eingewiesenen Bediener:</i> .....	31
8.2	<i>Jahrlich durch einen zugelassenen Vertreter:</i> .....	31
8.3	<i>Austausch des Messers:</i> .....	32
<b>9</b>	<b>ERSATZTEILE</b> .....	<b>32</b>
9.1	<i>ERSATZTEILLISTE</i> .....	32
<b>10</b>	<b>STÖRUNGEN UND FEHLER</b> .....	<b>33</b>
<b>11</b>	<b>LISTE DER ABGEBILDETEN TEILE UND FUNKTIONEN</b> .....	<b>34</b>

---

## 1 VOR DER INBETRIEBNAHME

---

Vielen Dank, dass Sie sich für ein Gerät von JAC entschieden haben. Bitte lesen Sie diese Bedienungsanleitung vor der Installation und Inbetriebnahme dieser Maschine aufmerksam durch. Dies dient zu Ihrer Sicherheit und zum Schutz der Maschine vor Schäden.

Diese Bedienungsanleitung enthält Verweise auf verschiedene Abbildungen, die das Verständnis der Anleitungen erleichtern. Die Abbildungen befinden sich am Schluss der Bedienungsanleitung. Bitte schlagen Sie die jeweilige Abbildung anhand des angegebenen Verweises (Fig. X, Nr. Y) nach.

**Damit Sie sich viele Jahre an dieser Maschine erfreuen können, möchten wir Sie bitten, die folgenden Hinweise zu berücksichtigen:**

- Lassen Sie sich bei der Installation, der Inbetriebnahme und der weiteren Nutzung von Ihrem zugelassenen Vertreter unterstützen.

- Um die Garantie von fünf Jahren (siehe nachfolgende Garantiebestimmungen) in Anspruch nehmen zu können, lassen Sie bitte von Ihrem Vertriebshändler bei der Installation Ihrer Maschine das Wartungsheft ausfüllen. Das Wartungsheft befindet sich an der Rückseite Ihrer Maschine.

---

## 2 GARANTIE

---



**JAC bietet auf alle seine Produkte eine Garantie von fünf Jahren.**

Diese Garantie erstreckt sich auf alle Teile Ihrer Maschine, auch auf die elektronischen Bauteile, außer Verschleißteile. Die Garantiefrist beginnt zum Zeitpunkt der Installation der Anlage.

**Es gelten die folgenden Beschränkungen:**

- Das Produkt wurde bei einem zugelassenen Vertragshändler erworben.
- Die Installation wurde von einem zugelassenen Vertreter vorgenommen.
- Das Produkt wurde im Rahmen seines bestimmungsgemäßen Gebrauchs und entsprechend der Bedienungsanleitung verwendet.
- Das Produkt wurde täglich entsprechend den Vorgaben der Bedienungsanleitung instandgehalten.
- Die Wartung wird durch einen zugelassenen Vertreter entsprechend den Wartungsvorgaben durchgeführt und findet mindestens einmal jährlich statt (auf Kosten des Anwenders).
- Es werden ausschließlich Originalersatzteile von JAC verwendet.



**Sofern keine Wartung durch einen zugelassenen Vertreter erfolgt bzw. das Wartungsheft nicht ordnungsgemäß ausgefüllt ist, ist die Garantie auf ein Jahr begrenzt.**

**Diese Garantie deckt nicht:**

- den Ersatz von Verschleißteilen (siehe Abschnitt 9);
- Teile, die unser Kundendienst nicht als defekt anerkennt;

- Probleme, die sich aus einer ungewöhnlichen Nutzung des Produktes ergeben;
- Probleme, die darauf zurückzuführen sind, dass die Installation nicht durch einen zugelassenen Vertreter durchgeführt wurde;
- Beschädigungen oder Probleme, die auf einen Transportschaden oder auf die unsachgemäße Handhabung des Produktes zurückzuführen sind.

**Die Durchführung einer Reparatur und/oder der Ersatz defekter Teile während der Garantiefrist führen nicht zur Verlängerung der Garantiefrist.**

---

### 3 WARNHINWEISE

---

Bitte bewahren Sie diese Bedienungsanleitung unbedingt mit Ihrem Gerät zum späteren Nachlesen auf. Bei Verkauf oder Weitergabe Ihres Gerätes übergeben Sie bitte diese Bedienungsanleitung an den neuen Besitzer bzw. Benutzer, damit dieser über die Funktionsweise des Gerätes und die Warnhinweise informiert ist und diese befolgen kann.



**Diese Warnhinweise dienen zu Ihrer Sicherheit und der Sicherheit anderer. Bitte lesen Sie die Warnhinweise vor der Installation und Verwendung Ihres Gerätes aufmerksam durch.**

Diese Maschine ist für die Verwendung durch befugte erwachsene Personen bestimmt. Stellen Sie sicher, dass die Maschine nicht von Kindern berührt oder als Spielzeug benutzt wird.

Diese Maschine ist ausschließlich für den professionellen Einsatz vorgesehen.

Eine Modifizierung bzw. versuchte Modifizierung der Eigenschaften und Merkmale dieser Maschine ist gefährlich.

Stellen Sie nach der Installation dieser Maschine sicher, dass diese nicht auf dem Netzkabel steht.

Befolgen Sie stets die Anleitungen zur Bedienung und Verwendung.

Die Maschine ist in einem Innenraum und gegen Feuchtigkeit und Hitze geschützt aufzustellen.

Die Maschine muss zur Durchführung der Arbeiten ausreichend ausgeleuchtet sein.

Der Geräuschpegel der Maschine liegt unter 75 dB(A) und entspricht damit der EN ISO 3744.

Die Maschine darf nicht von mehreren Personen gleichzeitig benutzt werden (es sei denn, die Anleitung gibt etwas Anderes vor).

Die Maschine dient zum Schneiden abgekühlter Brotlaibe.



**Diese Maschine darf nicht zum Schneiden der folgenden Brote, Artikel und Materialien verwendet werden:**

- Warmes Brot, altbackenes Brot
- Gefrorenes oder halb aufgetautes Brot
- Vollwertbrot mit harter Kruste und andere Brotsorten mit harter Kruste

- Roggenbrot
- Ungenießbare Produkte wie Holz, Kunststoff oder Ähnliches
- Lebensmittel, die nicht zur Gruppe der Backwaren (speziell Brote und Kuchen) gehören.

**Die Verwendung der Maschine zum Schneiden nicht zulässiger Brote, Artikel und Materialien kann zur Beschädigung der Maschine führen.**



**Vor Reinigungsarbeiten innen und außen am Gerät und vor Wartungsarbeiten immer den Netzstecker ziehen.**

Dieses Gerät ist sehr schwer. Beim Transport und Bewegen des Gerätes sind angemessene Vorsichtsmaßnahmen zu ergreifen.

---

## **4 TECHNISCHE DATEN**

---

### **4.1 Technische Daten**

	<b>ZIP</b>
<b>Höhe (mm)</b>	775
<b>Breite (mm)</b>	382
<b>Tiefe (mm)</b>	654
<b>Breite der Schneidkammer (mm)</b>	120
<b>Höhe der Schneidkammer (mm)</b>	80
<b>Verpackungsmaße (mm)</b>	1600 x 860 x 800
<b>Nettogewicht (kg)</b>	35
<b>Nettogewicht + Verpackung (kg)</b>	45
<b>Motorleistung (kW)</b>	0,49
<b>Motortyp</b>	einphasig
<b>220 V - 50 Hz (A)</b>	5
<b>Kapazität (Umdrehungen/Minute)</b>	120
<b>Durchmesser des Kreismessers (mm)</b>	300
<b>Geräuschpegel (dB)</b>	<75

<b>Edelstahlgestell</b>	Option
<b>Wannengestell</b>	Option
<b>Aufnahmebehälter</b>	Option

### **4.2 Materialien der Teile, die in Kontakt mit dem Schnittgut kommen**

**Schneidkammer:** EDELSTAHL 430

**seitliche Führung:** EDELSTAHL 430

**obere Führung:** EDELSTAHL 430

**Kreismesser:** Edelstahl

**Klappen an der Brotausgabe:** EDELSTAHL 430

### 5.1 Auspacken der Maschine:

Unsere Maschinen werden zur Lieferung ab Werk auf Paletten verpackt, mit Umreifungsbändern gesichert und mit einer Kartonverpackung geschützt. Prüfen Sie die Verpackung bei Erhalt auf Beschädigungen und teilen Sie dem Spediteur etwaige Transportschäden direkt mit.

- A. Entfernen Sie die Kartonverpackung und die Folie von der Maschine.
- B. Entfernen Sie die Umreifungsbänder und bedenken Sie dabei, dass diese beim Durchschneiden aufspringen.
- C. Lösen Sie die Maschine durch Entfernen der Holzleisten, welche die Füße sichern, von der Palette.
- D. Heben Sie die Maschine von der Palette. Dies muss durch mindestens zwei Personen erfolgen, so dass die Maschine möglichst sicher auf dem Boden abgesetzt werden kann.

**Die Maschine nach dem Auspacken auf Transportschäden überprüfen. Melden Sie uns bitte alle Fehler und Schäden.**

### 5.2 Aufstellung:

Um eine hohe Leistung, eine lange Lebensdauer und einen zuverlässigen Betrieb sicherzustellen, sollte der Aufstellort wie folgt beschaffen sein:

Gut belüftet, vor direkter Sonneneinstrahlung geschützt, in ausreichender Entfernung zu Wärmequellen, mit ebenem, tragfähigem und schwingungsfreiem Boden.

### 5.3 Anschluss an die Stromversorgung:

**WICHTIG:** Die Erdung der Maschine ist vorgeschrieben.

Wir empfehlen den Schutz der Anlage durch eine Sicherung und einen FI-Schutzschalter.

Ihr Stromnetz zur Versorgung der Maschine muss folgendermaßen geschützt werden:

- Nordamerika: Schutz 15 A;
- Rest der Welt: Schutz 16 A.

Maschinen mit Stromrichter müssen zwingend über einen FI-Schutzschalter für 300 mA angeschlossen werden.

Hinweis: Probleme und Störungen, die sich durch abweichende Ausführung des Anschlusses ergeben, sind nicht durch die Garantie gedeckt.

Prüfen Sie vor dem Anschließen der Maschine an das Stromnetz unbedingt, ob die Stromversorgung für die Maschine geeignet ist (siehe Angaben auf dem Typenschild), um einen Motorausfall beim Einschalten zu vermeiden.

Dieses Gerät entspricht den Maschinenrichtlinien 2006/42, 2006/95, 2004/108 und ist daher mit dem CE-Zeichen gekennzeichnet.

Bitte beachten Sie die an der Maschine angebrachten Warnsymbole:



Hinweis, der auf das vollständige Anhalten des Messers für zwei Minuten nach dem Abschalten der Maschine hinweist. Der Warnhinweis ist an der Rückseite der Maschine neben dem Hauptschalter angebracht. (Fig. 10, Nr. 23)



Warnsymbol zur Anzeige der Schneidgefahr. Dieses Warnsymbol befindet sich auf der Vorderseite der Maschine im Bereich der Brotausgabe. (Fig. 10, Nr. 24)

Den Schaltplan der Maschine finden Sie auf der Rückseite des Schaltkastengehäuses. (Fig. 10, Nr. 25)

#### **5.4 Inbetriebnahme:**

Vor der Inbetriebnahme sicherstellen, dass sich keine Fremdkörper auf den beweglichen Teilen der Maschine befinden.

Zunächst (nach Überprüfung der elektrischen Übereinstimmung) sicherstellen, dass der Motor in die richtige Richtung dreht. Falls das Messer in der Schneidkammer anhält und die Maschine einen Fehler ausgibt, diese sofort vom Stromnetz nehmen und im Stecker die beiden Phasen umkehren.

Weitere Informationen zur Verwendung der Maschine erhalten Sie im Abschnitt „Bedienung“.

#### **5.5 Gefahr:**

Bei einer Gefahr für den Anwender oder die Maschine ist die Maschine über den Hauptschalter auszuschalten.

Vor Wartungs- oder Instandsetzungsmaßnahmen den Netzstecker ziehen.

Die Klinge niemals berühren, und zwar auch dann nicht, wenn die Maschine abgeschaltet ist.

Das Messer muss von einem zugelassenen Vertreter ausgetauscht werden.

Tragen Sie beim Austauschen des Messers und während Arbeiten direkt neben dem oder am Messer stets Schutzhandschuhe zum Schutz vor Schnittverletzungen.

Wartungsmaßnahmen und der Austausch von Ersatzteilen dürfen nur durch eine qualifizierte Person erfolgen.

---

## **6 BEDIENELEMENT UND SICHERHEITSVORRICHTUNG**

---

### **6.1 Bedienelement:**

Ihre Schneidmaschine ist serienmäßig mit einem Hauptschalter (Fig. 2, Nr. 13) ausgestattet.

### **6.2 Arbeitsbereich:**

Der Arbeitsbereich befindet sich an der Vorderseite der Maschine (Fig. 3, Nr. 15).



### 6.3 Sicherheitseinrichtungen:

Diese Maschine ist mit folgenden Sicherheitseinrichtungen ausgestattet:

einem **mechanischen Sicherheitsschalter** (Fig. 7, Nr. 18),  
der den Betrieb der Maschine bei entfernter Abdeckung verhindert (Fig. 1, Nr. 2);

**Klappen an der Brotausgabe** (Fig. 7, Nr. 17),  
die verhindern, dass das Messer berührt wird (Fig. 9, Nr. 19).

---

## 7 **BEDIENUNG**

---

### **Einstellung der Maschine (Fig. 4,5)**

- A. Das Brot oben in die Schneidkammer der Maschine einlegen und die Breite der Schneidkammer durch Herausdrehen der beiden Einstellräder und durch Anpassen der seitlichen Führung an das Brot einstellen.
- B. Dasselbe für das Einstellrad der oberen Führung wiederholen.
- C. Die Schneidtiefe entsprechend den angezeigten Hinweisen (Fig. 5, Nr. 16) einstellen.
- D. Die Schneidehöhe über das Einstellrad einstellen.

### **Bedienung:**

- A. Die Maschine über den Hauptschalter (Fig. 2, Nr. 13) (Fig. 5) einschalten.
- B. Das Brot oben in die Schneidkammer der Maschine einlegen.
- C. Das geschnittene Brot entnehmen (Fig. 6).

---

## 8 **INSTANDHALTUNG**

---

### 8.1 Täglich durch einen eingewiesenen Bediener:

- A. Die Tische (Fig. 1, Nr. 10) mit einer Bürste reinigen.
- B. Den Innenbereich mit einem trockenen Tuch reinigen.
- C. Zur Reinigung außen ein feuchtes Tuch verwenden.

### 8.2 Jährlich durch einen zugelassenen Vertreter:

- A. Den Stecker aus der Steckdose ziehen (Fig. 2, Nr. 14).
- B. Den Zustand des Messers überprüfen (Fig. 9, Nr. 19).
- C. Soweit die Schneidqualität nachgelassen hat, muss die Klinge ausgetauscht werden (JAC Bestellnummer: 610022 Ersatzteilkatalog JAC)
- D. Die Klinge ist entsprechend dem für den Austausch der Klinge vorgeschriebenen Verfahren auszutauschen (Fig. 8, 9).
- E. Mit der Bürste reinigen und den Innenbereich der Maschine absaugen.

Hier bitte sicherstellen, dass Ihr zugelassener Vertreter diese Maßnahmen im Wartungsheft festhält, um Ihren Garantieanspruch von fünf Jahren zu erhalten.

### 8.3 Austausch des Messers

(Fig. 8, 9)

Beim Austausch der Messer oder bei Arbeiten in der Umgebung der Messer müssen Schnitzschutzhandschuhe (Norm EN 388: 2003, Index B = 5) sowie Sicherheitsschuhe getragen werden.

Sich zunächst vergewissern, dass der Netzstecker der Maschine (Fig. 2, Nr. 14) gezogen ist.

Die Klinge austauschen:

- A. Die drei Einstellräder oben an der Abdeckung abschrauben.
- B. Die drei Einstellräder oben an der rechten Seite der Abdeckung abschrauben.
- C. Die Abdeckung der Maschine entfernen.
- D. Einen Schraubendreher in der Messerbohrung ansetzen und dabei darauf achten, dass er auch in die dazu vorgesehene Bohrung des Maschinengestells eingeführt wird, um jede Drehung des Messers zu blockieren. Zum Ausbau des Messers einen Sechskantschlüssel von 17 mm verwenden. Vorsicht: es handelt sich um eine Mutter mit Kontergewinde. Dementsprechend ist sie im Uhrzeigersinn abzuschrauben.
- E. Die Mutter (Fig. 9, Nr. 21), die Unterlegscheibe (Fig. 9, Nr. 22) und den Flansch (Fig. 9, Nr. 20) entfernen, um das Messer (Fig. 9, Nr. 19) ausbauen zu können.
- F. Das Messer mit einer Drehbewegung aus der seitlichen Führung heben.

Die Schritte F, E, D in dieser Reihenfolge wiederholen und dabei darauf achten, dass die Mutter (Fig. 9, Nr. 19) entgegen dem Uhrzeigersinn verschraubt werden muss.

Die Maschine mit dem Stromnetz verbinden. Die Maschine ist betriebsbereit.

Hier bitte sicherstellen, dass Ihr zugelassener Vertreter diese Maßnahmen im Wartungsheft festhält, um Ihren Garantieanspruch von fünf Jahren zu erhalten.

Beachten Sie bitte, dass das Messer geschliffen werden kann. Für weitere Informationen wenden Sie sich bitte an Ihren Vertragshändler.

---

## 9 ERSATZTEILE

---

Um Ersatzteile für Ihre Maschine zu bestellen, lassen Sie von Ihrem Vertreter anhand des Ersatzteilkatalogs des Herstellers prüfen, um welche Teile es sich genau handelt. Dazu immer die Maschinenummer übermitteln, die auf dem Typenschild steht. Ihr Vertreter bestellt das Ersatzteil dann bei JAC.

### 9.1 ERSATZTEILLISTE

ARTIKELCODE	BEZEICHNUNG	MODELL
6110022	KREISMESSEER Ø200 MM	ALLE
5310113	FEDER BROTPRESSE	ALLE
5310107	MOTORFEDER	ALLE



## 10 STÖRUNGEN UND FEHLER

Problem	Fehlersuche
<b>Die Maschine lässt sich nicht einschalten</b>	Die Maschine über das Kabel anschließen (Fig. 2, Nr. 14).
	Den Hauptschalter einschalten (Fig. 2, Nr. 13).
	Sicherstellen, dass die Abdeckung wieder ordnungsgemäß angebracht ist (Fig. 2, Nr. 3, 5, 7)
<b>Die Maschine funktioniert, das Brot wird jedoch zerdrückt oder ungleichmäßig geschnitten.</b>	Möglicherweise muss das Messer ausgetauscht werden (Fig. 8).
	Lassen Sie das Brot einige Stunden lang abkühlen.
	Schneiden Sie nur Brote passender Größe.
	Schneiden Sie nur ausreichend feste Brote.

**VORSICHT:** Vor allen Eingriffen an der Maschine ist die Maschine zwingend von der Stromversorgung zu trennen.



Bei Anhalten des Problems wenden Sie sich bitte an Ihren Servicetechniker.

---

**11 LISTE DER ABGEBILDETEN TEILE UND FUNKTIONEN**

---

<b>Abbildung</b>	<b>Nummer</b>	<b>Bezeichnung</b>
1	1	Eingangskammer Brot
	2	Abdeckung
	3	Befestigung der Abdeckung
	4	Einstellung der Kammernbreite
	5	Befestigung der Abdeckung
	6	Anzeigefenster
	7	Befestigung der Abdeckung
	8	Einstellung der Kammernbreite
	9	Höheneinstellung Brot
	10	Ausgabekammer
2	11	Einstellung der Schnitthöhe
	12	Befestigung der Abdeckung
	13	Hauptschalter
	14	Netzkabel
3	15	Arbeitsbereich
5	16	Anzeige der Schnitttiefe
7	17	Ausgangsklappen
	18	Sicherheit
9	19	Messer
	20	Messerflansch
	21	Mutter Messer
	22	Unterlegscheibe
10	23	Hinweis: „Halten Messer“
	24	Hinweis „Schneidgefahr“
	25	Schaltplan
	26	Hinweis Schnitttiefe

<b>1</b>	<b>VÓÓR DE INBEDRIJFSTELLING .....</b>	<b>36</b>
<b>2</b>	<b>GARANTIE .....</b>	<b>36</b>
<b>3</b>	<b>WAARSCHUWINGEN .....</b>	<b>37</b>
<b>4</b>	<b>TECHNISCHE EIGENSCHAPPEN .....</b>	<b>38</b>
4.1	<i>Technische eigenschappen .....</i>	<i>38</i>
4.2	<i>Materiaal dat rechtstreeks in contact komt met het deeg. ....</i>	<i>38</i>
<b>5</b>	<b>INSTALLATIE EN INBEDRIJFSTELLING .....</b>	<b>38</b>
5.1	<i>De machine uit de verpakking halen: .....</i>	<i>38</i>
5.2	<i>Plaatsing: .....</i>	<i>39</i>
5.3	<i>Elektrische aansluiting: .....</i>	<i>39</i>
5.4	<i>Inbedrijfstelling: .....</i>	<i>40</i>
5.5	<i>Gevaar: .....</i>	<i>40</i>
<b>6</b>	<b>BEDIENINGS- EN VEILIGHEIDSPANEEL .....</b>	<b>40</b>
6.1	<i>Bedieningspaneel: .....</i>	<i>40</i>
6.2	<i>Werkzone: .....</i>	<i>40</i>
6.3	<i>Veiligheidsvoorzieningen: .....</i>	<i>40</i>
<b>7</b>	<b>GEBRUIK .....</b>	<b>41</b>
<b>8</b>	<b>ONDERHOUD .....</b>	<b>41</b>
8.1	<i>Dagelijks door een opgeleide gebruiker. ....</i>	<i>41</i>
8.2	<i>Jaarlijks door een erkende verdeler. ....</i>	<i>41</i>
8.3	<i>Vervanging van het blad. ....</i>	<i>41</i>
<b>9</b>	<b>VERBRUIKSGOEDEREN .....</b>	<b>42</b>
9.1	<i>Lijst met VERBRUIKSGOEDEREN .....</i>	<i>42</i>
<b>10</b>	<b>STORINGEN .....</b>	<b>42</b>
<b>11</b>	<b>LIJST MET ONDERDELEN OP DE AFBEELDINGEN .....</b>	<b>43</b>

---

## 1 VÓÓR DE INBEDRIJFSTELLING

---

Bedankt dat u hebt gekozen voor een JAC-oplossing. Neem deze gebruikershandleiding grondig door voordat u deze machine installeert en in werking stelt. Zo kunt u uzelf beschermen en schade aan uw machine vermijden.

Deze handleiding verwijst naar diverse afbeeldingen zodat u de instructies beter kunt begrijpen. Deze afbeeldingen bevinden zich op het einde van de handleiding. Raadpleeg ze wanneer u de volgende symbolen tegenkomt (fig.X, n°Y).

**Om nog jarenlang van uw machine te kunnen genieten, raden we u aan om de volgende adviezen na te leven:**

- Doe een beroep op uw erkende verdeler voor de installatie, inbedrijfstelling en opvolging.
- Om te kunnen genieten van de garantie van vijf jaar (zie verder voor de voorwaarden), moet u bij de installatie van uw machine het onderhoudsboekje laten invullen door uw verdeler. Dit onderhoudsboekje bevindt zich aan de achterkant van uw machine.

---

## 2 GARANTIE

---



**JAC biedt een garantie van vijf jaar op al zijn producten.**

Deze garantie is geldig voor alle onderdelen van uw machine, waaronder de elektronische onderdelen, maar uitgezonderd de verbruiksgoederen. De garantie treedt in werking op de installatiedatum van het materiaal.

**Onder de volgende beperkende voorwaarden:**

- Het materiaal moet bij een erkende verdeler zijn aangekocht.
- De installatie moet door een erkende verdeler zijn uitgevoerd.
- Het materiaal moet worden gebruikt in overeenstemming met de aanwijzingen in de gebruikershandleiding en voor het doel waarvoor het werd geproduceerd.
- Het materiaal moet dagelijks worden onderhouden in overeenstemming met de aanwijzingen in de gebruikershandleiding.
- Ten minste één keer per jaar moet onderhoud worden uitgevoerd door de erkende verdeler en dit in overeenstemming met de onderhoudsspecificaties (onderhoud ten laste van de gebruiker).
- Alleen originele JAC-onderdelen mogen worden gebruikt.



**Als er geen onderhoud wordt uitgevoerd door een erkende verdeler en/of het onderhoudsboekje niet correct wordt ingevuld, is de garantie beperkt tot één jaar.**

**Het volgende valt niet onder deze garantie:**

- De vervanging van verbruiksgoederen (§9).
- Defecte stukken die door onze diensten niet worden erkend.
- Problemen ten gevolge van een abnormaal gebruik van het materiaal.
- Problemen doordat de installatie niet door een erkende verdeler is uitgevoerd.
- De onderdelen of problemen die het gevolg zijn van transportschade of een ongepaste behandeling.

**Een reparatie en/of een vervanging van defecte onderdelen tijdens de garantieperiode verlengt deze garantie niet.**

---

### **3 WAARSCHUWINGEN**

---

Het is heel belangrijk dat deze gebruikershandleiding bij het apparaat wordt bewaard zodat ze later kan worden geraadpleegd. Als dit apparaat wordt verkocht of aan een andere persoon wordt overgedragen, zorg er dan voor dat de gebruikershandleiding wordt overhandigd zodat de gebruiker op de hoogte is van de werking ervan en van de daarin vermelde waarschuwingen.



**Deze waarschuwingen worden gegeven voor uw veiligheid en die van anderen. We vragen u dan ook ze aandachtig te lezen voordat u het apparaat installeert en gebruikt.**

Deze machine werd ontworpen om door bevoegde volwassenen te worden gebruikt. Zorg er dus voor dat kinderen de machine niet aanraken en niet als speelgoed beschouwen.

Deze machine is uitsluitend voorbehouden voor professioneel gebruik.

Het is gevaarlijk om de eigenschappen van deze machine te wijzigen of te proberen wijzigen.

Zorg er na de installatie van deze machine voor dat ze niet op het netsnoer staat.

Volg de meegeleverde gebruiksinstructies.

Deze machine moet worden bewaard en gebruikt in een ruimte die niet vochtig of warm wordt.

Deze machine moet voldoende verlicht zijn om het werk uit te voeren.

Deze machine heeft een geluidsniveau van minder dan 75 dB(A) conform norm EN ISO 3744.

Deze machine mag slechts door één persoon tegelijkertijd worden gebruikt (behoudens tegengestelde instructie).

Deze machine is bedoeld voor het snijden van gebakken en lauw brood.



**Deze machine is niet bedoeld voor het volgende brood en materiaal:**

- Warm brood, oud brood
- Bevroren of half ontdooid brood
- Volkorenbrood met harde korst en andere soorten brood met een harde korst
- Roggebrood
- Niet-eetbare producten zoals hout, plastic en soortgelijk materiaal
- Elk voedingsmiddel dat niet behoort tot de categorie brood of cake

**De machine kan beschadigd raken als niet toegestaan brood of materiaal wordt gesneden.**



Haal altijd de stekker uit het stopcontact voordat u de buiten- of binnenkant van het apparaat schoonmaakt of onderhoud uitvoert.

Dit apparaat is zwaar. Neem alle veiligheidsmaatregelen tijdens het onderhoud.

---

## 4 TECHNISCHE EIGENSCHAPPEN

---

### 4.1 Technische eigenschappen

	<b>ZIP</b>
Hoogte (mm)	775
Breedte (mm)	382
Diepte (mm)	654
Breedte van het toevoerkanaal (mm)	120
Hoogte van het toevoerkanaal (mm)	80
Verpakking (mm)	1600 x 860 x 800
Nettogewicht (kg)	35
Nettogewicht + verpakking (kg)	45
Motorvermogen (kW)	0,49
Motortype	Eenfasig
220 V - 50 Hz (A)	5
Capaciteit (toeren/minuut)	120
Bladdiameter (mm)	300
Geluidsniveau (dB)	<75

Roestvrijstalen sokkel	optie
Bakdrager	optie
Opvangbakken	optie

### 4.2 Materiaal dat rechtstreeks in contact komt met het deeg.

**Snijkanaal:** INOX 430

**Laterale geleider:** INOX 430

**Bovenste geleider:** INOX 430

**Blad:** Roestvrij staal

**Velglinten voor brooduitvoer:** INOX 430

---

## 5 INSTALLATIE EN INBEDRIJFSTELLING

---

### 5.1 De machine uit de verpakking halen:

De machines worden uit onze ateliers op pallets, verankerd en met karton beschermd geleverd. U moet eerst en vooral de verpakking bekijken en elke transportschade onmiddellijk aan de koerier melden.

A. Verwijder het karton en de verpakkingzak van de machine.



- B. Verwijder de riemen en let daarbij met name op de terugslag wanneer ze worden doorgesneden.
- C. Maak de machine los van de pallet door de houten latten te verwijderen die de voetsteunen blokkeren.
- D. Haal de machine van de pallet. Doe dit met minstens twee personen zodat de machine niet met een schok op de grond terechtkomt.

**Na het uitpakken van uw machine moet u nakijken of ze tijdens het transport geen schade heeft opgelopen. Meld ons elke afwijking.**

## 5.2 Plaatsing:

Voor uitstekende prestaties en betrouwbaarheid op lange termijn moet u een plaats kiezen die:

Goed verlucht is, niet blootgesteld is aan direct zonlicht en uit de buurt is van warmtebronnen, met een vlak, stevig en trillingsvrij oppervlak.

## 5.3 Elektrische aansluiting:

**BELANGRIJK:** Verplichte aarding.

Er wordt aangeraden om de installatie te beveiligen met een zekering en differentieelschakelaar.

Uw elektriciteitsinstallatie die stroom levert aan de machine moet als volgt aangegeven worden beveiligd:

- Noord-Amerika: Beveiliging 15 A
- Rest van de wereld: Beveiliging 16 A

Machines die uitgerust zijn met een regelaar moeten worden aangesloten op een aftakdoos op een lijn die uitgerust is met een differentieelschakelaar van 300 mA.

Opmerking: Elk probleem dat te wijten is aan een andere soort aansluiting wordt niet gedekt door de garantie.

Voordat u uw machine op het net aansluit en om een storing van de motor bij het onder spanning zetten te vermijden, is het belangrijk dat u controleert of het elektriciteitsnet overeenstemt met de eigenschappen van de machine (zie het identificatieplaatje).

Dit apparaat is conform de machinerichtlijnen 2006/42, 2006/95, 2004/108 en draagt de CE-markering die hiervan getuigt.

Houd rekening met de veiligheidspictogrammen op de machine:



Pictogram dat wijst op een volledige uitvaltijd van het blad van 2 min. na uitschakeling van de machine. Dat vindt u op de achterkant van de machine, in de buurt van de hoofdschakelaar (fig. 10, n°23).



Pictogram dat wijst op een mogelijke stroomonderbreking. Dat vindt u aan de voorkant van de machine in de zone waar het brood eruit komt. (fig.10, n°24)

U vindt het elektrische schema van de machine op de achterkant van de behuizing van de schakelkast (fig. 25).

#### **5.4 Inbedrijfstelling:**

Zorg er vóór de inbedrijfstelling voor dat er zich geen enkel storend voorwerp bevindt op de bewegende onderdelen van de machine.

Wees er eerst zeker van (na controle van de elektrische overeenstemming) dat de motor in de juiste richting draait. Als het blad in het snijkanaal stopt en er zich in de machine een fout voordoet, schakel de machine dan onmiddellijk uit en keer in de stekker de twee fasegraden om.

Raadpleeg het hoofdstuk "Gebruik" voor informatie over het gebruik van de machine.

#### **5.5 Gevaar:**

Als er gevaar is voor de gebruiker of voor de machine, moet u de hoofdschakelaar gebruiken om de stroomtoevoer naar de machine te onderbreken.

Haal de stekker uit het stopcontact vooraleer u onderhoud uitvoert.

Raak het blad niet aan, ook niet als het stilstaat.

Het blad mag alleen worden vervangen door uw erkende verdeler.

Draag altijd snijbestendige handschoenen tijdens de vervanging van het blad of tijdens een handeling in de buurt van het blad.

Elk onderhoud of vervanging van een onderdeel moet door een bekwame persoon worden uitgevoerd.

---

## **6 BEDIENINGS- EN VEILIGHEIDSPANEEL**

---

#### **6.1 Bedieningspaneel:**

Uw snijmachine is standaard uitgerust met een activeringsschakelaar (fig.2, n°13).

#### **6.2 Werkzone:**

De werkzone bevindt zich voor de machine (fig.3, n°15).

#### **6.3 Veiligheidsvoorzieningen:**

Deze machine is uitgerust met:

**Een veiligheidsschakelaar** (fig.7, n°18).

Hij verhindert dat de machine start wanneer de kap van de machine wordt weggenomen (fig.1, n°2).

**Velglinten voor brooduitvoer** (fig.7, n°17)

Deze verhinderen dat u het blad van de machine kunt aanraken (fig.9, n°19).





---

## 7 GEBRUIK

---

### Afstelling van de machine (fig.4,5)

- A. Plaats het brood bovenaan het kanaal van de machine en stel de breedte van het kanaal af door aan de twee afstelwielen te draaien en door de laterale geleider tot aan uw brood te schuiven.
- B. Doe hetzelfde met het afstelwiel van de bovenste geleider.
- C. Stel de snijdiepte van uw brood in volgens de aanwijzing van het controlelampje (fig.5, n°16).
- D. Stel de snijhoogte voor het brood af met het afstelwiel.

### Gebruiksprocedure

- A. Start de machine met de schakelaar (fig.2, n°13) (fig.5).
- B. Plaats uw brood bovenaan het kanaal van de machine.
- C. Neem uw gesneden brood (fig.6).

---

## 8 ONDERHOUD

---

### 8.1 Dagelijks door een opgeleide gebruiker.

- A. Maak de planken schoon (fig.1, n°1, 10) met een borstel.
- B. Gebruik een droge doek om de binnenkant schoon te maken.
- C. Gebruik een vochtige doek om de buitenkant schoon te maken.

### 8.2 Jaarlijks door een erkende verdeler.

- A. Haal de stekker uit het stopcontact (fig.2 n°14).
- B. Controleer de staat van het snijblad (fig.9, n°19).
- C. Als de snijkwaliteit daalt, vervang dan het snijblad (JAC-referentie: 610022 in de reserveonderdelencatalogus van JAC)
- D. Als het moeten worden vervangen, vervang het blad dan conform de vervangingsprocedure voor snijbladen (fig.8,9).
- E. Maak schoon met een borstel en stofzuig de binnenkant van de machine.

Controleer goed of uw erkende verdeler zijn interventie in uw onderhoudsboekje heeft genoteerd zodat u uw garantie van vijf jaar behoudt.

### 8.3 Vervanging van het blad.

(fig.8.9)

Draag altijd snijbestendige veiligheidshandschoenen (norm EN 388: 2003 index B= 5) en veiligheidsschoenen tijdens de vervanging van het blad of tijdens een handeling in de buurt van het blad.

Nadat u er zeker van bent dat de stekker van uw machine (fig.2, n°14) uit het stopcontact is gehaald.

Het blad vervangen:

- A. Draai de drie afstelwieljes bovenaan de kap los.
- B. Draai de twee afstelwieljes op de rechterkant van de kap los.
- C. Haal de kap van de machine.
- D. Plaats een schroevendraaier in het gat van het blad en zorg ervoor dat de schroevendraaier ook in het in het chassis voorziene gat gaat zodat de rotatie van het blad wordt geblokkeerd. Gebruik

een inbussleutel van 17 mm om het blad los te draaien. Opgelet, deze schroef is een schroef met tegengestelde draad. Draai deze los met de wijzers van de klok mee.

E. Neem de schroef (fig.9 n°21), de sluitring (fig.9, n°22) en de flens (fig.9, n°20) weg om het blad te verwijderen (fig.9, n°19).

F. Verwijder het blad door een rotatiebeweging uit te voeren om de laterale geleider naar buiten te doen komen.

Herhaal stappen F, E, D in deze volgorde en houd er rekening mee dat u de schroef moet draaien (fig.9, n°19) tegen de wijzers van de klok in.

Steek de stekker in het stopcontact. De machine is klaar.

Controleer goed of uw erkende verdeler zijn interventie in uw onderhoudsboekje heeft genoteerd zodat u uw garantie van vijf jaar behoudt.

Houd er rekening mee dat uw blad opnieuw kan worden geslepen. Neem contact op met uw erkende verdeler voor meer informatie.

---

## 9 VERBRUIKSGOEDEREN

---

Ga bij de bestelling van een reserveonderdeel met uw verdeler na om welk stuk het gaat op basis van de reserveonderdelencatalogus van de fabrikant.

Geef altijd het machinenummer op zoals vermeld op het identificatieplaatje.

Uw verdeler voert de bestellingen uit bij JAC.

### 9.1 Lijst met VERBRUIKSGOEDEREN

ARTIKELCODE	OMSCHRIJVING	MODEL
6110022	CIRKELBLAD Ø200 MM	ALLE
5310113	VEER VAN BROODPERS	ALLE
5310107	VEER MOTOR	ALLE

---

## 10 STORINGEN

---

Probleem	Controle
<b>De machine start niet op</b>	Sluit de machine met een kabel aan op het stopcontact (fig.2, n°14).
	Schakel de hoofdschakelaar in (fig.2, n°13).
	Controleer of de kap goed op zijn plaats zit (fig.2, n°3, 5, 7).
<b>De machine werkt maar het brood wordt beschadigd of onregelmatig gesneden</b>	Controleer of het blad niet moet worden vervangen (fig.8).
	Laat het brood enkele uren afkoelen.
	Plaats een brood met de toegelaten afmetingen.
	Plaats een redelijk stevig brood.



**OPGELET:** Bij elke tussenkomst moet de machine uit het stopcontact worden getrokken.



Als het probleem zich blijft voordoen, neem dan contact op met uw technicus.

---

## 11 LIJST MET ONDERDELEN OP DE AFBEELDINGEN

---

Afbeelding	Nummer	Naam
1	1	Toevoerkanaal van het brood
	2	Kap
	3	Vastzetten van de kap
	4	Afstelling van de breedte van het kanaal
	5	Vastzetten van de kap
	6	Kijkvenster
	7	Vastzetten van de kap
	8	Afstelling van de breedte van het kanaal
	9	Hoogteregeling van het brood
	10	Uitvoerkanaal
2	11	Afstelling van snijhoogte
	12	Vastzetten van de kap
	13	Hoofdschakelaar
	14	Netsnoer
3	15	Werkzone
5	16	Verklikker van snijdiepte
7	17	Velglinten
	18	Veiligheid
9	19	Blad
	20	Bladflens
	21	Bladschroef
	22	Sluistring
10	23	Plaatje "uitvaltijd van het blad"
	24	Plaatje "gevaar op stroomonderbreking"
	25	Elektrisch schema
	26	Plaatje met snijdiepte



<b>1</b>	<b>ПЕРЕД ВВОДОМ В ЭКСПЛУАТАЦИЮ .....</b>	<b>46</b>
<b>2</b>	<b>ГАРАНТИЯ .....</b>	<b>46</b>
<b>3</b>	<b>ПРЕДУПРЕЖДЕНИЯ .....</b>	<b>47</b>
<b>4</b>	<b>ТЕХНИЧЕСКИЕ ХАРАКТЕРИСТИКИ .....</b>	<b>48</b>
4.1	<i>Технические характеристики .....</i>	<i>48</i>
4.2	<i>Подробности о материалах, находящихся в непосредственном контакте с тестом.....</i>	<i>48</i>
<b>5</b>	<b>УСТАНОВКА И ВВОД В ЭКСПЛУАТАЦИЮ .....</b>	<b>49</b>
5.1	<i>Распаковка машины .....</i>	<i>49</i>
5.2	<i>Место установки .....</i>	<i>49</i>
5.3	<i>Электрическое подключение .....</i>	<i>49</i>
5.4	<i>Ввод в эксплуатацию .....</i>	<i>50</i>
5.5	<i>Опасность .....</i>	<i>50</i>
<b>6</b>	<b>ОРГАНЫ УПРАВЛЕНИЯ И ПРЕДОХРАНИТЕЛЬНЫЕ УСТРОЙСТВА.....</b>	<b>51</b>
6.1	<i>Органы управления .....</i>	<i>51</i>
6.2	<i>Рабочая зона .....</i>	<i>51</i>
6.3	<i>Предохранительные устройства.....</i>	<i>51</i>
<b>7</b>	<b>ЭКСПЛУАТАЦИЯ.....</b>	<b>51</b>
<b>8</b>	<b>ТЕХНИЧЕСКОЕ ОБСЛУЖИВАНИЕ .....</b>	<b>51</b>
8.1	<i>Ежедневное, выполняется пользователем, прошедшим подготовку. ....</i>	<i>51</i>
8.2	<i>Ежегодное, выполняется аккредитованным специалистом.....</i>	<i>51</i>
8.3	<i>Замена ножа.....</i>	<i>52</i>
<b>9</b>	<b>РАСХОДНЫЕ МАТЕРИАЛЫ.....</b>	<b>52</b>
9.1	<i>Список РАСХОДНЫХ МАТЕРИАЛОВ .....</i>	<i>53</i>
<b>10</b>	<b>НЕПОЛАДКИ В РАБОТЕ .....</b>	<b>53</b>
<b>11</b>	<b>СПИСОК КОМПЛЕКТУЮЩИХ НА ИЗОБРАЖЕНИЯХ.....</b>	<b>54</b>

## 1 ПЕРЕД ВВОДОМ В ЭКСПЛУАТАЦИЮ

Благодарим за то, что выбрали компанию JAC. Перед установкой машины и ее вводом в эксплуатацию обязательно прочтите настоящее руководство. Таким образом вы сможете защитить себя и избежать повреждений машины.

В настоящем руководстве содержатся ссылки на различные изображения, облегчающие понимание инструкций. Эти изображения находятся в конце руководства. Обращайтесь к ним, когда встретите в тексте обозначения следующего вида: (fig.X, n°Y).

**Для полной удовлетворенности работой машины в будущем предлагаем ознакомиться с поданными ниже правилами.**

- Для установки машины, ее ввода в эксплуатацию и контроля работы обращайтесь к аккредитованному специалисту.

- Чтобы на машину подействовала 5-летняя гарантия (см. необходимые условия далее), дистрибьютор должен заполнить журнал технического обслуживания при установке машины. Журнал технического обслуживания находится с тыльной части машины.

## 2 ГАРАНТИЯ



**Компания JAC предоставляет 5-летнюю гарантию на всю свою продукцию.**

Гарантия распространяется на все детали машины, в том числе электронные, кроме расходных материалов. Гарантия вступает в силу с даты установки оборудования.

**Гарантия действует при соблюдении следующих ограничительных условий:**

- приобретение оборудования у аккредитованного дистрибьютора;
- выполнение установки аккредитованным специалистом;
- использование оборудования в соответствии с указаниями в руководстве по эксплуатации и по назначению, предусмотренному при производстве;
- ежедневное обслуживание оборудования в соответствии с указаниями в руководстве по эксплуатации;
- выполнение технического обслуживания аккредитованным специалистом в соответствии с требованиями по техническому обслуживанию не реже одного раза в год (производится за счет пользователя);
- использование исключительно оригинальных деталей компании JAC.



**При отсутствии контроля технического обслуживания со стороны аккредитованного специалиста и/или в случае неправильного ведения журнала технического обслуживания действие гарантии ограничивается одним годом.**

**Гарантия не распространяется:**

- на замену расходных материалов (§9);
- на детали, признанные неисправными не нашей компанией;
- на проблемы, возникшие вследствие неправильной эксплуатации оборудования;

- на проблемы, возникшие вследствие установки машины не аккредитованным специалистом;
- на детали или проблемы, связанные с нанесением ущерба во время транспортировки или ненадлежащим обращением при погрузочно-разгрузочных работах.

**Ремонт и/или замена неисправных деталей, выполненные в течение гарантийного периода, не могут послужить причиной продления данной гарантии.**

### **3 ПРЕДУПРЕЖДЕНИЯ**

Настоящее руководство следует сохранить для получения справочной информации при дальнейшей эксплуатации машины. В случае продажи или передачи машины другому лицу следует удостовериться, что руководство по эксплуатации передается вместе с ней, чтобы пользователь мог получить информацию о ее работе и связанных с ней предупреждениях.



**Предупреждения изложены для обеспечения вашей безопасности и безопасности других лиц. Просим вас внимательно прочесть эти предупреждения перед установкой и эксплуатацией машины.**

Машина разработана для использования совершеннолетними лицами с соответствующим разрешением. Поэтому нужно следить за тем, чтобы дети не прикасались к машине и не использовали ее в качестве игрушки.

Машина предназначена исключительно для использования в рабочих целях.

Опасно вносить изменения (и даже пытаться) в характеристики машины.

После установки машины убедитесь в том, что она не стоит на кабеле электроснабжения.

Соблюдайте данные инструкции по эксплуатации.

Машина должна храниться и использоваться в помещении, защищенном от сырости и жары.

Машина должна быть обеспечена достаточным освещением для выполнения работы.

Уровень шума машины ниже 75 дБ(А) согласно стандарту EN ISO 3744.

Машина не должна использоваться несколькими операторами параллельно (если не предписано иное).

Данная машина предназначена для нарезки печеного и выдержанного хлеба.



**Данная машина не предназначена для следующих материалов и видов хлеба:**

- Горячий хлеб, черствый хлеб.
- Замороженный или частично размороженный хлеб.
- Цельнозерновой хлеб с твердой коркой и другие виды хлеба с твердой коркой.
- Ржаной хлеб.

- Несъедобные изделия из древесины, пластмассы и аналогичных материалов.
- Любые продукты питания, не входящие в категорию хлебных или кексовых изделий.

**Нарезка перечисленных видов хлеба или материалов может привести к повреждению машины.**



**Всегда отключайте машину от сети электропитания перед выполнением чистки внутренних/внешних поверхностей и операций по техническому обслуживанию.**

Машина тяжелая. Принимайте все необходимые меры предосторожности при транспортировке и погрузочно-разгрузочных работах.

## **4 ТЕХНИЧЕСКИЕ ХАРАКТЕРИСТИКИ**

### **4.1 Технические характеристики**

	<b>ZIP</b>
<b>Высота (мм)</b>	775
<b>Ширина (мм)</b>	382
<b>Глубина (мм)</b>	654
<b>Ширина входного канала (мм)</b>	120
<b>Высота входного канала (мм)</b>	80
<b>Упаковка (мм)</b>	1600 x860 x 800
<b>Вес нетто (кг)</b>	35
<b>Вес нетто + упаковка (кг)</b>	45
<b>Мощность мотора (кВт)</b>	0,49
<b>Тип мотора</b>	Однофазный
<b>220 В, 50 Гц (А)</b>	5
<b>Мощность (об/мин)</b>	120
<b>Диаметр ножа (мм)</b>	300
<b>Уровень шума (дБ)</b>	<75

<b>Подставка из нержавеющей стали</b>	опция
<b>Тележка для баков</b>	опция
<b>Баки для сбора хлебобулочных изделий</b>	опция

### **4.2 Подробности о материалах, находящихся в непосредственном контакте с тестом.**

**Канал нарезки:** НЕРЖ. 430

**Боковая направляющая:** НЕРЖ. 430

**Верхняя направляющая:** НЕРЖ. 430

**Нож:** нерж.

**Заслонка на выходе буханок:** НЕРЖ. 430



### 5.1 Распаковка машины

Машины из наших цехов поставляются на поддонах, закрепленные ремнями и в защитной картонной коробке. Прежде всего следует осмотреть упаковку на предмет наличия повреждений, полученных во время транспортировки, и сообщить о них непосредственно экспедитору.

- A. Удалите картонную коробку и упаковочный пакет машины.
- B. Снимите ремни, обратив особое внимание на их ослабление при разрезании.
- C. Открепите машину от поддона, сняв деревянные рейки, фиксирующие ножки.
- D. Снимите машину с поддона. В этой операции должны участвовать не менее двух человек для обеспечения максимально плавного соприкосновения машины с полом.

**После распаковки машины убедитесь, что она не подвергалась повреждениям во время транспортировки. Сообщайте нам о любых дефектах.**

### 5.2 Место установки

Для обеспечения долгосрочной высокой производительности и надежности машины следует правильно выбрать место установки.

Оно должно быть хорошо проветриваемым, защищенным от воздействия прямых солнечных лучей, удаленным от источников тепла, с ровной и прочной поверхностью, не подвергающейся вибрации.

### 5.3 Электрическое подключение

**ВАЖНО!** Обязательно наличие заземления.

Рекомендуется защитить электрическую установку с помощью плавкого предохранителя и дифференциального автоматического выключателя.

Электрическая установка, обеспечивающая питание машины, должна быть защищена следующим образом:

- Северная Америка: защита 15 А;
- Остальные страны: защита 16 А.

Машины, оборудованные регулятором скорости, обязательно должны подключаться к разветвительной коробке на линии с дифференциальным автоматом 300 мА.

Примечание. Любые проблемы, возникшие в связи с иным видом подключения, не будут покрываться гарантией.

Перед подключением машины к электросети и во избежание выхода мотора из строя в момент подключения следует убедиться в соответствии электросети характеристикам машины (см. заводской щиток).

Машина соответствует директивам о безопасности машин и оборудования 2006/42, 2006/95, 2004/108 и имеет подтверждающую маркировку ЕС.

Ознакомьтесь с пиктограммами техники безопасности, имеющимися на машине.



Пиктограмма с указанием времени полной остановки ножа (2 мин) после выключения машины. Пиктограмма находится сзади машины, возле главного выключателя. (fig. 10, п°23)



Пиктограмма, предупреждающая об опасности пореза. Она находится в передней части машины, рядом с зоной выхода хлеба. (fig. 10, п°24)

Электросхема машины находится на обратной стороне отсека электрощитка. (fig. 10, 25)

#### 5.4 Ввод в эксплуатацию

Перед вводом в эксплуатацию убедитесь в отсутствии любых посторонних предметов на подвижных частях машины.

После проверки соответствия электрических характеристик в первую очередь убедитесь в том, что мотор вращается в правильном направлении. Если нож останавливается в канале нарезки, и машина переходит в режим сбоя, немедленно отключите электропитание и поменяйте местами два провода фазы на разъеме.

Для получения ответов на все вопросы, касающиеся эксплуатации машины, см. раздел «Эксплуатация».

#### 5.5 Опасность

В случае возникновения опасности для пользователя или для машины следует отключить электропитание с помощью главного выключателя.

Извлеките штекер из электрической розетки перед выполнением любых операций по техническому или периодическому обслуживанию.

Не прикасайтесь к ножу, даже если машина выключена.

Для замены ножа обратитесь к аккредитованному дистрибьютору.

Обязательно надевайте защитные перчатки, предохраняющие от порезов, при выполнении операций в непосредственной близости от ножа или при его замене.

Все операции по техническому обслуживанию или замене деталей должны осуществляться квалифицированным сотрудником.

---

## **6 ОРГАНЫ УПРАВЛЕНИЯ И ПРЕДОХРАНИТЕЛЬНЫЕ УСТРОЙСТВА**

---

### **6.1 Органы управления**

Хлебозрезка серийно оборудована выключателем (fig. 2, n°13).

### **6.2 Рабочая зона**

Рабочая зона находится перед машиной (fig.3, n°15).

### **6.3 Предохранительные устройства**

Оборудование на данной машине:

**Аварийный выключатель** (fig.7, n°18).

Препятствует включению машины при снятии кожуха машины (fig.1, n°2).

**Заслонка на выходе буханок** (fig.7, n°17).

Предохраняет от прикосновения к ножу машины (fig.9, n°19).

---

## **7 ЭКСПЛУАТАЦИЯ**

---

### **Регулировка машины (fig.4, 5)**

- A. Поместите буханку в верхнюю часть канала машины и отрегулируйте ширину канала, открутив два колесика и подтолкнув боковую направляющую к буханке.
- B. Выполните те же действия с регулировочным колесиком верхней направляющей.
- C. Отрегулируйте глубину нарезки буханки в соответствии с показаниями индикатора (fig.5, n°16).
- D. Отрегулируйте высоту нарезки с помощью колесика.

### **Порядок эксплуатации**

- A. Запустите машину с помощью выключателя (fig.2, n°13) (fig.5).
- B. Поместите буханку в верхнюю часть канала машины.
- C. Заберите нарезанный хлеб (fig.6).

---

## **8 ТЕХНИЧЕСКОЕ ОБСЛУЖИВАНИЕ**

---

### **8.1 Ежедневное, выполняется пользователем, прошедшим подготовку.**

- A. Очистите полки (fig.1, n°1, 10) с помощью щетки.
- B. Протрите сухой ветошью внутренние поверхности.
- C. Протрите влажной ветошью внешние поверхности.

### **8.2 Ежегодное, выполняется аккредитованным специалистом.**

- A. Извлеките штекер из разъема (fig.2, n°14).
- B. Проверьте состояние ножа (fig.9, n°19).
- C. При констатации снижения качества нарезки заказать замену ножа (артикул JAC: 610022 в каталоге запасных частей компании JAC).

- D. Если нож подлежит замене, эта операция должна быть выполнена в соответствии с процедурой замены ножа (fig.8, 9).
- E. Очистите внутренние поверхности машины с помощью щетки и пылесоса.

Проверьте внесение аккредитованным специалистом записей о выполненной работе в журнал технического обслуживания для сохранения 5-летней гарантии.

### **8.3 Замена ножа**

(fig.8, 9)

Обязательно надевайте защитные перчатки, предохраняющие от порезов (стандарт EN 388: 2003, индекс B = 5), и защитную обувь во время выполнения замены ножа или операций в непосредственной близости от ножа.

Убедитесь, что штекер машины (fig.2, п°14) отсоединен от электросети.

Замена ножа:

- A. Открутите три колесика на верхней части кожуха.
- B. Открутите два колесика на правой стороне кожуха.
- C. Снимите кожух машины.
- D. Вставьте отвертку в отверстие ножа, убедившись, что отвертка также проходит сквозь специальное отверстие в каркасе машины, предотвращая вращение ножа. Чтобы разжать крепление ножа, используйте шестигранный ключ на 17 мм. Внимание! Это гайка с обратной резьбой. Поэтому для ее ослабления поворачивайте по часовой стрелке.
- E. Снимите гайку (fig.9, п°21), шайбу (fig.9, п°22) и диск (fig.9, п°20), чтобы снять нож (fig.9, п°19).
- F. Снимите нож вращательным движением, чтобы извлечь его из боковой направляющей.

Повторите этапы в последовательности F, E, D, не забывая, что гайку (fig.9, п°19) следует закрутить против часовой стрелки.

Подключите машину к электросети. Машина готова к работе.

Проверьте внесение аккредитованным специалистом записей о выполненной работе в журнал технического обслуживания для сохранения 5-летней гарантии.

\Обратите внимание, что нож можно затачивать повторно. Свяжитесь с аккредитованным специалистом для получения более подробной информации.

---

## **9 РАСХОДНЫЕ МАТЕРИАЛЫ**

---

При заказе запасной части проверьте вместе с аккредитованным специалистом, о какой детали идет речь, по каталогу запасных частей, выпускаемому производителем. Всегда уточняйте номер машины, указанный на заводском щитке. Заказ в компании JAC может разместить ваш аккредитованный специалист.

## 9.1 Список РАСХОДНЫХ МАТЕРИАЛОВ

ITEM CODE	DESCRIPTION	MODEL
6110022	CIRCULAR BLADE, Ø 200 MM	ALL
5310113	LOAF HOLDER SPRING	ALL
5310107	MOTOR SPRING	ALL

## 10 НЕПОЛАДКИ В РАБОТЕ

Проблема	Проверка
<b>Машина не запускается</b>	Подключить машину с помощью кабеля (fig.2, n°14).
	Включить главный выключатель (fig.2, n°13).
	Убедиться, что кожух установлен на место (fig.2, n°3, 5, 7)
<b>Машина работает, но буханки разрушаются или нарезаются неровно.</b>	Проверить, не нужно ли заменить нож (fig.8).
	Дать хлебу остыть несколько часов.
	Загрузить буханку подходящих размеров.
	Загрузить достаточно твердую буханку.

**ВНИМАНИЕ!** Перед выполнением любых ремонтных работ машина должна быть отключена от электроснабжения.



Если проблема не устраняется, обратитесь к вашему техническому специалисту.

## 11 СПИСОК КОМПЛЕКТУЮЩИХ НА ИЗОБРАЖЕНИЯХ

Изображение	Номер	Название
1	1	Входной канал для буханок
	2	Кожух
	3	Крепление кожуха
	4	Регулировка ширины канала
	5	Крепление кожуха
	6	Смотровое окно
	7	Крепление кожуха
	8	Регулировка ширины канала
	9	Регулировка высоты буханки
	10	Выходной канал
2	11	Регулировка высоты нарезки
	12	Крепление кожуха
	13	Главный выключатель
	14	Кабель питания
3	15	Рабочая зона
5	16	Индикатор глубины нарезки
7	17	Заслонка на выходе
	18	Предохранительное устройство
9	19	Нож
	20	Диск ножа
	21	Гайка ножа
	22	Шайба
10	23	Пиктограмма «Время остановки ножа»
	24	Пиктограмма «Опасность пореза»
	25	Электросхема
	26	Пиктограмма глубины нарезки

<b>1</b>	<b>ANTES DE LA PUESTA EN SERVICIO .....</b>	<b>56</b>
<b>2</b>	<b>GARANTÍA.....</b>	<b>56</b>
<b>3</b>	<b>ADVERTENCIAS .....</b>	<b>57</b>
<b>4</b>	<b>CARACTERÍSTICAS TÉCNICAS .....</b>	<b>58</b>
4.1	<i>Características técnicas.....</i>	<i>58</i>
4.2	<i>Detalle de materiales en contacto directo con la masa.....</i>	<i>58</i>
<b>5</b>	<b>INSTALACIÓN Y PUESTA EN SERVICIO .....</b>	<b>58</b>
5.1	<i>Desembalaje de la máquina:.....</i>	<i>58</i>
5.2	<i>Ubicación:.....</i>	<i>59</i>
5.3	<i>Conexión eléctrica:.....</i>	<i>59</i>
5.4	<i>Puesta en servicio:.....</i>	<i>60</i>
5.5	<i>Peligro:.....</i>	<i>60</i>
<b>6</b>	<b>CUADRO DE CONTROL Y DE SEGURIDAD .....</b>	<b>60</b>
6.1	<i>Cuadro de control:.....</i>	<i>60</i>
6.2	<i>Área de trabajo:.....</i>	<i>60</i>
6.3	<i>Cuadro de seguridad:.....</i>	<i>60</i>
<b>7</b>	<b>USO.....</b>	<b>61</b>
<b>8</b>	<b>LIMPIEZA.....</b>	<b>61</b>
8.1	<i>Diaría por un usuario formado.....</i>	<i>61</i>
8.2	<i>Anual por un agente autorizado.....</i>	<i>61</i>
8.3	<i>Cambio de la cuchilla.....</i>	<i>61</i>
<b>9</b>	<b>CONSUMIBLES .....</b>	<b>62</b>
9.1	<i>Lista de CONSUMIBLES.....</i>	<i>62</i>
<b>10</b>	<b>INCIDENTES DE FUNCIONAMIENTO.....</b>	<b>62</b>
<b>11</b>	<b>LISTA DE COMPONENTES DE LAS FIGURAS.....</b>	<b>63</b>

## 1 ANTES DE LA PUESTA EN SERVICIO

---

Gracias por elegir una solución JAC. Lea con atención este manual de uso antes de instalar y poner en servicio esta máquina. De esta forma, usted puede protegerse y evitar el deterioro de su máquina.

Este manual hace referencia a distintas figuras con el fin de facilitar la comprensión de las instrucciones. Estas figuras se encuentran al final del manual. Consúltelas cuando vea los siguientes símbolos: fig.X, n°Y.

**Para que el funcionamiento de su máquina sea satisfactorio a lo largo de los próximos años, le invitamos a que lea los siguientes consejos:**

- Solicite ayuda a su agente autorizado para la instalación, la puesta en servicio y el seguimiento.
- Para poder beneficiarse de la garantía de 5 años (consulte las condiciones recogidas a continuación), solicite a su distribuidor que complete la tarjeta de mantenimiento al instalar su máquina. Esta tarjeta de mantenimiento se encuentra en la parte trasera de su máquina.

## 2 GARANTÍA

---



**JAC ofrece una garantía de 5 años en todos sus productos.**

Esta garantía es válida para todas las piezas de su máquina, incluidas las electrónicas, excluyendo los consumibles. La garantía entra en vigor a partir de la fecha de instalación del material.

**Con las siguientes condiciones restrictivas:**

- El material debe haberse adquirido a un revendedor autorizado.
- La instalación deberá efectuarla un agente autorizado.
- El material debe utilizarse conforme a las indicaciones del manual de uso y para la finalidad para la que ha sido fabricado.
- El mantenimiento diario del material debe efectuarse conforme a las indicaciones del manual de uso.
- El agente autorizado debe hacer un seguimiento del mantenimiento conforme a las especificaciones de mantenimiento, como mínimo, una vez al año (mantenimiento a cargo del usuario).
- Deben utilizarse exclusivamente piezas originales JAC.



**Si un agente autorizado no efectúa el seguimiento del mantenimiento y/o la tarjeta de mantenimiento no está cumplimentada correctamente, la garantía se limita a un año.**

**Esta garantía no cubre:**

- La sustitución de consumibles (§9).
- Las piezas que nuestros servicios no reconozcan como defectuosas.
- Los problemas derivados de un uso anormal del material.
- Los problemas derivados de una instalación no efectuada por un agente autorizado.



- Las piezas o los problemas causados por daños en el transporte o por un mantenimiento inadecuado.

**Una reparación y/o una sustitución de piezas defectuosas efectuadas durante el periodo de garantía no supondrá la prolongación de dicha garantía.**

---

### 3 ADVERTENCIAS

---

Es muy importante conservar este manual de uso junto con el aparato para futuras consultas. Si este aparato se vende o se transfiere a otra persona, asegúrese de que se le entrega también el manual de uso para que el usuario pueda estar informado de su funcionamiento y de las advertencias que se recogen aquí.



**Estas advertencias se dan por su seguridad y la de los demás. Le rogamos que las lea con atención antes de instalar y utilizar el aparato.**

Esta máquina está diseñada para su uso por adultos autorizados. Asegúrese de los niños no la toquen o que no la usen como un juguete.

Esta máquina está destinada únicamente a un uso profesional.

Es peligroso modificar o intentar modificar las características de esta máquina.

Después de instalar la máquina, asegúrese de que no aplasta el cable de alimentación.

Siga las instrucciones de uso.

Esta máquina debe almacenarse y utilizarse dentro de un local, protegida de la humedad y del calor.

Esta máquina debe estar suficientemente iluminada para efectuar el trabajo.

Esta máquina tiene un nivel sonoro inferior a 75 dB(A) según la norma EN ISO 3744.

Esta máquina debe utilizarla una sola persona a la vez (salvo indicación contraria).

Esta máquina está diseñada para el corte de panes cocidos y templados.



**Esta máquina no está destinada a los siguientes panes y materiales:**

- Panes calientes, panes duros
- Panes congelados o parcialmente descongelados
- Panes completos con una corteza dura y otros tipos de pan con corteza dura
- Panes de centeno
- Productos no comestibles como la madera, el plástico y materiales similares
- Cualquier otro alimento que no forme parte de la categoría de panes o bizcochos

**La máquina puede sufrir daños al cortar panes o materiales no permitidos.**



**Desconecte siempre la toma de corriente antes de proceder a la limpieza interior y exterior del aparato y a las operaciones de mantenimiento.**

Este aparato es pesado. Tome todas las precauciones de seguridad durante su mantenimiento.

---

## **4 CARACTERÍSTICAS TÉCNICAS**

---

### **4.1 Características técnicas**

	<b>ZIP</b>
<b>Altura (mm)</b>	775
<b>Anchura (mm)</b>	382
<b>Profundidad (mm)</b>	654
<b>Anchura del canal de entrada (mm)</b>	120
<b>Altura del canal de entrada (mm)</b>	80
<b>Embalaje (mm)</b>	1600 x 860 x 800
<b>Peso neto (kg)</b>	35
<b>Peso neto + embalaje (kg)</b>	45
<b>Potencia del motor (kW)</b>	0,49
<b>Tipo de motor</b>	Monofásico
<b>220v - 50Hz (A)</b>	5
<b>Capacidad (rpm)</b>	120
<b>Diámetro de la cuchilla (mm)</b>	300
<b>Nivel sonoro (dB)</b>	<75

<b>Zócalo inox</b>	Opcional
<b>Soporte para cajones</b>	Opcional
<b>Cajones de recuperación</b>	Opcional

### **4.2 Detalle de materiales en contacto directo con la masa.**

**Canal de corte:** INOX 430

**Guía lateral:** INOX 430

**Guía superior:** INOX 430

**Cuchilla:** Inox

**Solapas de salida del pan:** INOX 430

---

## **5 INSTALACIÓN Y PUESTA EN SERVICIO**

---

### **5.1 Desembalaje de la máquina:**

Las máquinas que salen de nuestros talleres se entregan en palés atados y protegidos con cartón. Antes de realizar cualquier acción, debe observarse el embalaje e informar al transportista de cualquier daño debido al transporte.

A. Quite el cartón y el plástico de embalaje de la máquina.



- B. Quite las cinchas prestando especial atención a su distensión al seccionarlas.
- C. Separe la máquina del palé levantando los listones de madera que bloquean las patas.
- D. Baje la máquina del palé. Efectúe esta operación entre dos personas como mínimo para amortiguar al máximo el contacto con el suelo.

**Después de desembalar su máquina, compruebe que no ha sufrido daños durante el transporte. Infórmenos de cualquier anomalía.**

### 5.2 Ubicación:

Para obtener un rendimiento excelente y una fiabilidad a largo plazo, elija una ubicación que esté:

Bien ventilada, protegida de los rayos directos del sol y alejada de fuentes de calor, con una superficie plana y robusta y sin vibraciones.

### 5.3 Conexión eléctrica:

**IMPORTANTE:** La toma de tierra es obligatoria.

Es aconsejable proteger la instalación con un fusible y un disyuntor diferencial.

La instalación eléctrica que suministra energía a la máquina debe estar protegida tal y como se indica a continuación:

- América del Norte: Protección 15 A.
- Resto del mundo: Protección 16 A.

Las máquinas equipadas con un variador deben estar conectadas obligatoriamente a una caja de derivación en una línea equipada con un diferencial de 300 mA.

Nota: La garantía no cubrirá cualquier problema ocasionado por una conexión de otro tipo.

Antes de conectar su máquina a la red y con el fin de evitar una avería del motor al encenderla, es importante comprobar la adecuación de la red de alimentación a las características de la máquina (consulte la placa informativa de la máquina).

Este aparato cumple con las directivas sobre máquinas 2006/42, 2006/95 y 2004/108 y lleva el marcado CE que lo certifica.

Consulte los pictogramas de seguridad que figuran en la máquina:



Pictograma que indica un tiempo de detención completa de la cuchilla de 2 minutos después de apagar la máquina. Lo encontrará en la parte trasera de la máquina, cerca del interruptor principal (fig. 10,n°23).



Pictograma que indica un riesgo de corte. Lo encontrará en la parte delantera de la máquina, alrededor de la zona de salida del pan (fig. 10,n°24).

Encontrará el esquema eléctrico de la máquina en la parte trasera de la carcasa de la caja eléctrica (fig. 10, 25).

#### **5.4 Puesta en servicio:**

Antes de la puesta en servicio, asegúrese de que no queda ningún objeto sobrante en las partes en movimiento de la máquina.

En primer lugar, y después de comprobar que la toma de corriente se ajusta a las características eléctricas de la máquina, asegúrese de que el motor gira en el sentido correcto. Si la cuchilla se detiene en el canal de corte y la máquina indica un error, desconecte inmediatamente e invierta, en la toma, los dos cables de fase.

Para utilizar la máquina, consulte el apartado «Uso».

#### **5.5 Peligro:**

En caso de peligro para el usuario o para la máquina, debe utilizar el interruptor general para cortar la alimentación de la máquina.

Quite el enchufe de la toma de corriente antes de efectuar cualquier operación de mantenimiento y de limpieza.

No toque la cuchilla incluso si la máquina está parada.

Para cambiar la cuchilla, solicite la intervención de su distribuidor autorizado.

Lleve siempre guantes de protección anticorte al sustituir la cuchilla o cuando trabaje cerca de la cuchilla.

Cualquier operación de mantenimiento o de sustitución de piezas debe efectuarla una persona cualificada.

---

## **6 CUADRO DE CONTROL Y DE SEGURIDAD**

---

### **6.1 Cuadro de control:**

Su cortadora está equipada de serie con un interruptor de puesta en marcha (fig. 2, N°13)

### **6.2 Área de trabajo:**

El área de trabajo está situada en la parte delantera de la máquina (fig.3 n°15)

### **6.3 Cuadro de seguridad:**

Esta máquina está equipada con:

**Un interruptor mecánico de seguridad** (fig. 7 n°18)

Que impide que la máquina empiece a funcionar al quitar el forro de la máquina (fig.1, n°2)

**Solapas de salida del pan** (fig. 7 n°17)

Que impiden que se pueda tocar la cuchilla de la máquina (fig.9 n°19)

---

## 7 USO

---

### Ajuste de la máquina (fig.4,5)

- A. Introduzca el pan en la parte superior del canal de la máquina y ajuste la longitud del canal aflojando las dos llaves y deslizando la guía lateral hasta el pan.
- B. Haga lo mismo con la llave de ajuste de la guía superior.
- C. Ajuste la profundidad de corte del pan siguiendo la indicación del indicador (fig.5 n°16).
- D. Ajuste la altura de corte en el pan con ayuda de la llave.

### Procedimiento de uso

- A. Ponga en marcha la máquina con ayuda del interruptor (fig.2 n°13) (fig.5).
- B. Introduzca el pan en la parte superior del canal de la máquina.
- C. Recoja el pan cortado (fig.6).

---

## 8 LIMPIEZA

---

### 8.1 Diaria por un usuario formado.

- A. Limpie las tablas (fig.1 n°1, 10) con un cepillo
- B. Utilice un paño seco para limpiar el interior
- C. Para la limpieza exterior, utilice un paño húmedo

### 8.2 Anual por un agente autorizado.

- A. Quite el enchufe de la toma de corriente (fig.2 n°14)
- B. Compruebe el estado de la cuchilla de corte (fig.9,n°19)
- C. Si se percibe una bajada de la calidad de corte, es necesario sustituir la cuchilla de corte (referencia JAC: 610022 del catálogo de Piezas de Recambio JAC)
- D. Si se debe cambiar, hágalo de acuerdo con el procedimiento de cambio de la cuchilla de corte (fig.8,9)
- E. Limpie con un cepillo y aspire el interior de la máquina.

Compruebe que su agente autorizado registre su intervención en su tarjeta de mantenimiento para conservar su garantía de 5 años.

### 8.3 Cambio de la cuchilla

(fig.8,9)

Lleve siempre guantes de protección anticorte (Norma EN 388: 2003 índice B= 5) y calzado de seguridad al sustituir la cuchilla o cuando trabaje cerca de la cuchilla.

Después de asegurarse de que el enchufe de su máquina (fig.2 n°14) está desconectado de la corriente.

Cambie la cuchilla:

- A. Afloje las tres llaves situadas en la parte superior del forro
- B. Afloje las dos llaves situadas en el lado derecho del forro
- C. Retire el forro de la máquina
- D. Introduzca un destornillador en el orificio de la cuchilla asegurándose de que el destornillador pasa también por el orificio situado en el chasis de la máquina para bloquear la rotación de la cuchilla. Utilice una llave inglesa de 17 mm para aflojar la cuchilla. Atención, esta tuerca tiene la rosca al contrario. Por tanto, aflójela en el sentido de las agujas del reloj.

E. Quite la tuerca (fig9. N°21), la arandela (fig9 n°22) y el platillo (fig9,n°20) para retirar la cuchilla (fig.9 n°19).

F. Quite la cuchilla haciendo un movimiento de rotación para sacarla de la guía lateral.

Repita los pasos F, E y D en ese orden teniendo en cuenta que es necesario apretar la tuerca (fig.9 n°19) en el sentido contrario al de las agujas del reloj.

Conecte la máquina a la red eléctrica, la máquina está lista.

Compruebe que su agente autorizado registre su intervención en su tarjeta de mantenimiento para conservar su garantía de 5 años.

La cuchilla se puede volver a afilar, póngase en contacto con su agente para obtener más información.

## 9 CONSUMIBLES

Al pedir una pieza de recambio, compruebe con su agente autorizado de qué pieza se trata con base en el catálogo de piezas de recambio del fabricante.

Indique siempre el número de máquina tal y como se indica en la placa informativa.

Su agente efectuará el pedido a JAC.

### 9.1 Lista de CONSUMIBLES

CÓDIGO DE ARTÍCULO	ETIQUETA	MODELO
6110022	CUCHILLA CIRCULAR Ø200 MM	TODOS
5310113	MUELLE DEL RODILLO	TODOS
5310107	MUELLE DE MOTOR	TODOS

## 10 INCIDENTES DE FUNCIONAMIENTO

Problema	Comprobación
<b>La máquina no se pone en funcionamiento</b>	Conecte la máquina con el cable (fig.2 n°14)
	Active el interruptor principal (fig.2, n°13)
	Compruebe que el forro está bien colocado en su sitio (fig2, n°3, 5, 7)
<b>La máquina funciona, pero los panes están dañados o cortados de forma irregular</b>	Compruebe si es necesario sustituir la cuchilla (fig.8)
	Deje que el pan se enfríe unas horas
	Introduzca un pan con el tamaño adecuado
	Introduzca un pan lo suficientemente firme

**ATENCIÓN:** Para cualquier intervención, la máquina deberá estar desenchufada obligatoriamente.



Si el problema persiste, póngase en contacto con su técnico.

---

## 11 LISTA DE COMPONENTES DE LAS FIGURAS

---

Figura	Número	Nombre
1	1	Canal de entrada del pan
	2	Forro
	3	Fijación del forro
	4	Ajuste de la anchura del canal
	5	Fijación del forro
	6	Ventana de visualización
	7	Fijación del forro
	8	Ajuste de la anchura del canal
	9	Ajuste de la altura del pan
	10	Canal de salida
2	11	Ajuste de la altura de corte
	12	Fijación del forro
	13	Interruptor principal
	14	Cable de alimentación
3	15	Área de trabajo
5	16	Indicador de profundidad de corte
7	17	Solapas de salida
	18	Seguridad
9	19	Cuchilla
	20	Platillo de la cuchilla
	21	Tuerca de la cuchilla
	22	Arandela
10	23	Señal «tiempo de detención de la cuchilla»
	24	Señal «riesgo de corte»
	25	Esquema eléctrico
	26	Señal de profundidad de corte





<b>1</b>	<b>PRIMA DELLA MESSA IN FUNZIONE .....</b>	<b>66</b>
<b>2</b>	<b>GARANZIA.....</b>	<b>66</b>
<b>3</b>	<b>AVVERTENZE .....</b>	<b>67</b>
<b>4</b>	<b>CARATTERISTICHE TECNICHE .....</b>	<b>68</b>
4.1	<i>Caratteristiche tecniche .....</i>	68
4.2	<i>Dettaglio materiali in contatto con la pasta .....</i>	68
<b>5</b>	<b>INSTALLAZIONE E MESSA IN FUNZIONE.....</b>	<b>68</b>
5.1	<i>Disimballo della macchina: .....</i>	68
5.2	<i>Posizionamento:.....</i>	69
5.3	<i>Collegamento elettrico:.....</i>	69
5.4	<i>Messa in servizio:.....</i>	70
5.5	<i>Pericolo:.....</i>	70
<b>6</b>	<b>ORGANO DI COMANDO E DI SICUREZZA .....</b>	<b>70</b>
6.1	<i>Organo di comando: .....</i>	70
6.2	<i>Zona di lavoro:.....</i>	70
6.3	<i>Organi di sicurezza:.....</i>	70
<b>7</b>	<b>UTILIZZO .....</b>	<b>71</b>
<b>8</b>	<b>MANUTENZIONE.....</b>	<b>71</b>
8.1	<i>Quotidiana da parte di un utilizzatore addestrato .....</i>	71
8.2	<i>Annuale da parte di un utilizzatore autorizzato.....</i>	71
8.3	<i>Sostituzione della lama.....</i>	71
<b>9</b>	<b>COMPONENTI DI CONSUMO.....</b>	<b>72</b>
9.1	<i>Elenco dei COMPONENTI DI CONSUMO .....</i>	72
<b>10</b>	<b>INCIDENTI DI FUNZIONAMENTO .....</b>	<b>72</b>
<b>11</b>	<b>ELENCO DEI COMPONENTI INDICATI NELLE FIGURE .....</b>	<b>73</b>

---

## 1 PRIMA DELLA MESSA IN FUNZIONE

---

Grazie per aver scelto una soluzione JAC. Si invita a leggere con attenzione queste note informative prima di procedere all'installazione e alla messa in servizio di questa macchina. Contengono informazioni su come proteggersi e come evitare il deterioramento della macchina.

Queste informazioni fanno riferimento a diverse figure, in modo da facilitare la comprensione delle istruzioni. Le figure si trovano al fondo delle informazioni. Si invita a farvi riferimento quando si incontrano i seguenti simboli (fig. X, n. Y).

**Per una totale soddisfazione dall'utilizzo della macchina nei prossimi anni, si invita a tenere presenti i seguenti consigli:**

- Farsi aiutare dal tecnico autorizzato per l'installazione, la messa in servizio e il follow-up.
- Per beneficiare della garanzia di 5 anni (vedere le condizioni riportate in seguito), far compilare dal distributore, il libretto di manutenzione al momento dell'installazione della macchina. Il libretto di manutenzione si trova nella parte posteriore della macchina.

---

## 2 GARANZIA

---



**JAC offre una garanzia di 5 anni su tutti i suoi prodotti.**

Questa garanzia è valida su tutte le parti della macchina, comprese quelle elettroniche, a parte i componenti di consumo. La garanzia entra in vigore a partire dalla data di installazione del materiale.

**Secondo le seguenti condizioni restrittive:**

- Materiale acquistato presso un rivenditore autorizzato
- Installazione effettuata da un tecnico autorizzato
- Utilizzo del materiale conformemente alle indicazioni sul modo di utilizzo e nel rispetto della finalità per la quale è stato fabbricato
- Materiale quotidianamente mantenuto nel rispetto delle indicazioni delle modalità di utilizzo
- Manutenzioni successive da parte del tecnico autorizzato conformemente alle specifiche di manutenzione con, al minimo, una manutenzione l'anno (manutenzione a carico dell'utente).
- L'utilizzo esclusivo di parti originali JAC.



**Se non si eseguono interventi di manutenzione da parte di un tecnico autorizzato e/o il libretto di manutenzione non è correttamente completato, la garanzia si limita ad un anno.**

**Questa garanzia non copre:**

- La sostituzione dei componenti di consumo (§9)
- Le parti non riconosciute difettose dai nostri servizi
- I problemi derivanti da un utilizzo anomalo del materiale
- I problemi derivanti da un'installazione non effettuata da un tecnico autorizzato

- Le parti o i problemi derivanti da un danno di trasporto o da una manutenzione inadeguata.

**Una riparazione e/o una sostituzione di parti difettose effettuate durante il periodo di garanzia non producono l'effetto di prolungare detta garanzia.**

---

### 3 AVVERTENZE

---

È molto importante che le istruzioni per l'utilizzo siano conservate con l'apparecchio per ogni consultazione futura. Se questo macchinario deve essere venduto o trasferito ad un'altra persona, accertarsi che le istruzioni per l'utilizzo siano consegnate all'utente destinatario in modo che possa essere informato sul funzionamento e sui messaggi di avvertenza ad esso riferiti.



**Tali avvertenze sono fornite per la vostra sicurezza e per quella altrui. Si prega di leggerle con attenzione prima di installare e utilizzare il macchinario.**

Questa macchina è stata progettata per essere utilizzata da adulti autorizzati. Accertarsi quindi che i bambini non le si avvicinino e che non la utilizzino come un giocattolo.

Questa macchina è destinata unicamente ad un uso professionale.

È pericoloso modificare o provare a modificare le caratteristiche di questa macchina.

Accertarsi dopo averla installata, che non appoggi sul cavo di alimentazione.

Seguire le istruzioni fornite per l'utilizzo.

Questa macchina deve essere sistemata e utilizzata all'interno di un locale, al riparo da umidità e calore.

Deve essere illuminata a sufficienza per poter funzionare.

La macchina produce un livello di rumore inferiore a 75 dB(A), conforme alla norma EN ISO 3744.

La macchina deve essere utilizzata da una sola persona per volta (salvo prescrizioni contrarie).

Questa macchina è destinata al taglio del pane cotto e raffreddato.



**Questa macchina non è destinata ai seguenti materiali e tipi di pane:**

- Pane caldo, pane raffermo.
- Pane congelato, o parzialmente scongelato.
- Pane integrale con una crosta dura e altri tipi di pane a crosta dura.
- Pane di segale.
- Prodotti non commestibili come legno, plastica e materiali simili.
- Ogni alimento che non fa parte della categoria dei tipi di pane o delle torte.

**La macchina si può danneggiare con il taglio di pani o materiali non autorizzati.**



**Staccare sempre il cavo di alimentazione prima di procedere alla pulizia interna/esterna del macchinario e alle operazioni di manutenzione.**

Questo macchinario è pesante. Adottare tutte le precauzioni di sicurezza al momento della manutenzione.

---

## **4 CARATTERISTICHE TECNICHE**

---

### **4.1 Caratteristiche tecniche**

	<b>ZIP</b>
<b>Altezza (mm)</b>	775
<b>Larghezza (mm)</b>	382
<b>Profondità (mm)</b>	654
<b>Larghezza del canale d'ingresso (mm)</b>	120
<b>Altezza del canale d'ingresso (mm)</b>	80
<b>Imballaggio (mm)</b>	1600 x 860 x 800
<b>Peso netto (kg)</b>	35
<b>Peso NETTO + imballaggio (kg)</b>	45
<b>Potenza motore (kW)</b>	0,49
<b>Tipo di motore</b>	Monofase
<b>220v - 50Hz (A)</b>	5
<b>Capacità (giri/minuto)</b>	120
<b>Diametro della lama (mm)</b>	300
<b>Livello sonoro (dB)</b>	<75

<b>Base inox</b>	opzionale
<b>Porta-cassetti</b>	opzionale
<b>Cassetto raccogliitore</b>	opzionale

### **4.2 Dettaglio materiali in contatto con la pasta.**

**Canale di taglio:** INOX 430

**Guida laterale:** INOX 430

**Guida superiore:** INOX 430

**Lama:** Inox

**Flaps di uscita del pane:** INOX 430

---

## **5 INSTALLAZIONE E MESSA IN FUNZIONE**

---

### **5.1 Disimballo della macchina:**

Le macchine sono consegnate, franco fabbrica, su pallet, legate con cinghie e protette con pannelli di cartone. Prima di tutto, occorre esaminare l'imballaggio e ogni danno dovuto al trasporto deve essere dichiarato direttamente all'addetto alla consegna.

A. Togliere il cartone e il sacchetto d'imballaggio dalla macchina.



- B. Togliere le cinghie facendo particolare attenzione allo sgancio di queste ultime durante il taglio.
- C. Staccare la macchina dal pallet togliendo i listelli di legno che bloccano i piedi.
- D. Far scendere la macchina dal pallet. Accertarsi di essere almeno in due per questa operazione per ammortizzare al meglio il contatto con il terreno.

**Dopo il disimballo della macchina, verificare che non abbia subito danni durante il trasporto. Segnalare ogni anomalia.**

## 5.2 Posizionamento:

Per ottenere performance eccellenti e affidabilità a lungo termine, scegliere una posizione:

Ben ventilata, al riparo dai raggi solari diretti e lontano da fonti di calore, con una superficie piana, robusta e priva di vibrazioni.

## 5.3 Collegamento elettrico:

**IMPORTANTE:** Messa a terra obbligatoria.

Si consiglia di proteggere l'impianto con un fusibile e un salvavita.

L'impianto elettrico che alimenta la macchina deve essere protetto secondo quanto indicato qui di seguito:

- Nord America: Protezione 15 A;
- Resto del mondo: Protezione 16 A.

Le macchine dotate di variatore, devono necessariamente essere collegate ad una scatola di derivazione su di una linea dotata di salvavita da 300 mA.

Nota: Ogni problema derivante da un altro tipo di collegamento non sarà preso in considerazione ai fini della garanzia.

Prima di collegare la macchina alla rete e onde evitare una dismissione del motore all'avvio, è importante verificare la compatibilità della rete di alimentazione con le caratteristiche della macchina (vedere la relativa targa segnaletica).

Questo apparecchio è conforme alle direttive macchine 2006/42, 2006/95, 2004/108 e reca la marcatura CE che attesta detta conformità.

Si invita a prendere visione della segnaletica di sicurezza che figura sulla macchina:



Segnale che indica un tempo di arresto completo della lama di 2 min dopo lo spegnimento della macchina. Si trova nella parte posteriore della macchina, vicino all'interruttore principale (fig. 10, n. 23).



Segnale che indica un rischio di taglio. Si trova davanti alla macchina nella zona di uscita del pane (fig. 10, n. 24).

Sul retro della scatola del quadro elettrico si trova lo schema elettrico della macchina (fig. 10, 25).

#### **5.4 Messa in servizio:**

Prima della messa in servizio, accertarsi che non vi siano oggetti estranei sulle parti in movimento della macchina.

Accertarsi innanzitutto (dopo aver verificato le connessioni elettriche) che il motore giri nel senso corretto. Se la lama si ferma nel canale di taglio e la macchina entra in errore, scollegare immediatamente e invertire, nella presa, i due fili di fase.

Per l'utilizzo della macchina, fare riferimento al capitolo "Utilizzo".

#### **5.5 Pericolo:**

In caso di pericolo per l'utente o per la macchina, utilizzare l'interruttore generale per interrompere l'alimentazione della macchina.

Estrarre la spina della presa elettrica prima di ogni operazione di manutenzione o di assistenza.  
Non toccare la lama, anche all'arresto.

Per la sostituzione della lama, rivolgersi al distributore autorizzato.

Indossare sempre guanti di protezione anti-taglio per la sostituzione della lama o per un'operazione nelle vicinanze della lama.

Ogni operazione di manutenzione o sostituzione delle parti deve essere effettuata da una persona qualificata.

---

## **6 ORGANO DI COMANDO E DI SICUREZZA**

---

### **6.1 Organo di comando:**

La macchina è dotata di serie di un interruttore di avvio (fig. 2, n. 13).

### **6.2 Zona di lavoro:**

La zona di lavoro si trova davanti alla macchina (fig. 3 n. 15).

### **6.3 Organi di sicurezza:**

Questa macchina è dotata:

**Di un interruttore di sicurezza** (fig. 7, n. 18).

Che impedisce alla macchina di partire quando si apre la cuffia della macchina (fig. 1, n. 5).

**Di un flaps di uscita del pane** (fig. 7 n. 17)

Che impedisce di toccare la lama della macchina (fig.9 n°19).

---

## 7 UTILIZZO

---

### Regolazione della macchina (fig.4, 5)

- A. Introdurre il pane nella parte alta del canale della macchina e regolare la larghezza del canale svitando le due manopole e facendo scivolare la guida laterale fino al pane.
- B. Ripetere con la manopola di regolazione della guida superiore.
- C. Regolare la profondità del taglio del pane seguendo l'indicazione della spia (fig.5 n. 16).
- D. Regolare l'altezza di taglio del pane con la rotella.

### Procedura di utilizzo

- A. Mettere in funzione la macchina con l'interruttore (fig. 2 n. 13) (fig. 5).
- B. Introdurre il pane nella parte alta del canale della macchina.
- C. Recuperare il pane affettato (fig. 6).

---

## 8 MANUTENZIONE

---

### 8.1 Quotidiana da parte di un utilizzatore addestrato.

- A. Pulire i ripiani (fig. 1, n. 1, 10) con una spazzola.
- B. Utilizzare un panno asciutto per la pulizia interna.
- C. Per la manutenzione esterna, utilizzare un panno umido.

### 8.2 Annuale da parte di un utilizzatore autorizzato.

- A. Staccare la presa della corrente (fig. 2, n. 14).
- B. Verificare lo stato della lama da taglio (fig. 9, n. 19).
- C. Se si nota un deterioramento della qualità del taglio occorre procedere alla sostituzione della lama da taglio (riferimento JAC: 610022 del catalogo di Parti di ricambio JAC).
- D. Se è da cambiare, sostituirla nel rispetto della procedura di sostituzione della lama da taglio (fig.8, 9).
- E. Pulire con una spazzola e aspirare l'interno della macchina.

Verificare attentamente che il tecnico autorizzato registri l'intervento sul libretto di manutenzione al fine di mantenere la garanzia di 5 anni.

### 8.3 Sostituzione della lama.

(fig.8,9)

Far sempre attenzione ad indossare guanti di protezione anti-taglio (Norma EN 388: 2003 indice B= 5) e scarpe di sicurezza al momento della sostituzione della lama o di un'operazione vicino alla lama. Dopo essersi accertati che la presa della macchina (fig. 2 n. 14) sia ben scollegata dalla corrente.

Sostituire la lama:

- A. Svitare le tre rotelle che si trovano nella parte alta della cuffia.
- B. Svitare le due rotelle che si trovano sul lato destro della cuffia.
- C. Togliere la cuffia dalla macchina.

D. Inserire un cacciavite nel foro della lama accertandosi che il cacciavite passi anche nel foro dell'involucro della macchina per bloccare la rotazione della lama. Utilizzare una chiave esagonale da 17 mm per allentare la lama. Attenzione, questo dado ha la filettatura al contrario. Si svita pertanto in senso orario.

E. Togliere il dado (fig. 9, n. 21), la rondella (fig. 9, n. 22) e la flangia (fig. 9, n. 20) per estrarre la lama (fig. 9, n. 19).

F. Estrarre la lama compiendo una rotazione per farla uscire dalla guida laterale.

Ripetere la procedura F, E, D in quest'ordine, tenendo presente che occorre avvitare il dado (fig. 9, n. 19) in senso orario.

Collegare la macchina alla rete elettrica, la macchina è pronta.

Verificare attentamente che il tecnico autorizzato registri l'intervento sul libretto di manutenzione al fine di mantenere la garanzia di 5 anni.

Notare che la lama è riaffilabile, contattare l'agente autorizzato per maggiori informazioni.

---

## **9 COMPONENTI DI CONSUMO**

---

Al momento dell'ordine di parti di ricambio, verificare con il tecnico autorizzato di quale parte si tratta in base al catalogo delle parti di ricambio emesso dal fabbricante.

Precisare sempre il codice della macchina indicato sulla targa segnaletica.

Il tecnico effettua gli ordini presso JAC.

### **9.1 Elenco dei COMPONENTI DI CONSUMO**

<b>CODICE ARTICOLO</b>	<b>VERSIONE</b>	<b>MODELLO</b>
6110022	LAMA CIRCOLARE Ø200MM	TUTTE
5310113	MOLLA PREMIPANE	TUTTE
5310107	MOLLA MOTORE	TUTTE

---

## **10 INCIDENTI DI FUNZIONAMENTO**

---

<b>Problema</b>	<b>Verifica</b>
<b>La macchina non si mette in moto.</b>	Collegare la macchina con un cavo (fig.2 n°14).
	Scollegare l'interruttore principale (fig. 2, n. 13).
	Verificare che la cuffia sia ben posizionata (fig. 2, n. 3, 5, 7).
<b>La macchina funziona, ma le forme di pane sono danneggiate o tagliate in modo irregolare.</b>	Verificare se occorre sostituire la lama (fig. 8).
	Lasciar raffreddare la forma di pane per alcune ore.
	Introdurre una forma di dimensioni accettabili.
	Introdurre una forma molto soda.



**ATTENZIONE:** Per ogni intervento, la macchina deve obbligatoriamente essere scollegata dall'alimentazione.



Se il problema persiste, contattare il proprio tecnico.

---

## 11 ELENCO DEI COMPONENTI INDICATI NELLE FIGURE

---

Figura	Numero	Nome
1	1	Canale di ingresso del pane
	2	Cuffia
	3	Fissaggio della cuffia
	4	Regolazione della larghezza del canale
	5	Fissaggio della cuffia
	6	Finestra di visualizzazione
	7	Fissaggio della cuffia
	8	Regolazione della larghezza del canale
	9	Regolazione di altezza del pane
	10	Canale di uscita
2	11	Regolazione di altezza di taglio
	12	Fissaggio della cuffia
	13	Interruttore principale
	14	Cavo di alimentazione
3	15	Zona di lavoro
5	16	Segnalatore di profondità di taglio
7	17	Flap di uscita
	18	Sicurezza
9	19	Lama
	20	Flangia della lama
	21	Dado della lama
	22	Rondella
10	23	Segnale "tempo di arresto della lama"
	24	Segnale "rischio di taglio"
	25	Schema elettrico
	26	Segnale di profondità di taglio



76.....	1	قبل التشغيل
76.....	2	الضمان
77.....	3	تنبيهات
78.....	4	المواصفات الفنية
78.....	4.1	المواصفات الفنية
78.....	4.2	تفاصيل الخامات الملامسة بشكل مباشر للعجين.
78.....	5	التركيب والتشغيل
78.....	5.1	فك تغليف الآلة:
79.....	5.2	الموضع:
79.....	5.3	التوصيل الكهربائي:
79.....	5.4	التشغيل:
80.....	5.5	خطر:
80.....	6	جهاز التحكم والأمان
80.....	6.1	جهاز التحكم:
80.....	6.2	منطقة العمل:
80.....	6.3	أجهزة الأمان:
80.....	7	الاستخدام
81.....	8	الصيانة
81.....	8.1	يومية بواسطة مستخدم مُدرّب.
81.....	8.2	سنوية بمعرفة وكيل معتمد.
81.....	8.3	تغيير الشفرة.
82.....	9	قطع المستهلكات
82.....	9.1	قائمة بالمستهلكات
82.....	10	الأحداث العارضة أثناء التشغيل
83.....	11	قائمة بالمكونات الموجودة في الأشكال

نشكركم لاختياركم حلول JAC. تأكد من قراءة دليل الاستخدام هذا قبل تركيب وتشغيل هذه الآلة. يمكنك أن تحمي نفسك وتتجنب هكذا أن تتلف الآلة.

يشير هذا الدليل إلى أشكال مختلفة من أجل تسهيل فهم التعليمات. هذه الأشكال موجودة في نهاية الدليل. يُرجى الرجوع إليها ما إن ترى الرموز التالية (شكل كذا، رقم كذا).

من أجل أن تكون راضياً تماماً عن أداء هذه الآلة خلال السنوات القادمة، ندعوك إلى الاطلاع على النصائح التالية:

- استعن بوكيل معتمد من أجل التركيب والتشغيل والمتابعة.

- من أجل الاستفادة من الضمان ومدته 5 سنوات (انظر الشروط المذكورة بعد)، قم بواسطة الموزع، باستكمال دفتر الصيانة أثناء تركيب الآلة. يوجد دفتر الصيانة خلف الآلة.

## 2 الضمان

تقدم شركة JAC ضماناً على كل منتجاتها مدته 5 سنوات.



يسري هذا الضمان على كل قطع الآلة، بما فيها القطع الإلكترونية، دون المستهلكات. يسري الضمان من تاريخ تركيب المعدة.

بحسب الشروط المقيدة التالية:

- تم شراء المعدة من موزع معتمد؛
- تم التركيب بمعرفة وكيل معتمد؛
- استخدام المعدة وفقاً لتعليمات دليل الاستخدام وفي الغرض التي صنعتت من أجل؛
- يتم صيانة المعدة يومياً وفقاً لإرشادات دليل الاستخدام؛
- يتابع الصيانة الوكيل المعتمد وفقاً لشروط الصيانة، مع إجراء الصيانة مرة في العام، على الأقل (الصيانة على حساب المستخدم).
- الاستخدام الحصري لقطع الغيار الأصلية من JAC.



إذا لم يكن يوجد صيانة من وكيل معتمد و/أو أن دفتر الصيانة غير مكتمل بشكل صحيح، تقتصر فترة الضمان على عام واحدة.

علماً بأن الضمان لا يشمل:

- استبدال المستهلكات (فقرة 9)؛
- قطع الغيار التي لم يقر قسم الخدمة الفنية بأنها تالفة؛
- المشاكل الناجمة عن الاستخدام غير السليم للمعدة؛
- المشاكل الناجمة عن تركيب لم يتم بمعرفة وكيل معتمد؛
- قطع الغيار أو المشاكل الناجمة عن تلف أثناء النقل أو المناولة غير المناسبة.

ليس من شأن الإصلاح و/أو الاستبدال لقطع الغيار التالفة الذي يتم خلال مدة الضمان أن يمدد هذا الضمان.

من المهم جدًا حفظ دليل الاستخدام هذا مع الجهاز للاطلاع عليه في المستقبل. إذا كان سيتم بيع أو نقل هذا الجهاز إلى شخص آخر، تأكد أن يتم إعطاء دليل الاستخدام هذا بحيث يستطيع المستخدم معرفة تشغيله والتنبيهات المتعلقة به.



تم إعطاء هذه التنبيهات حرصًا على سلامتك وعلى سلامة الآخرين. برجاء قراءتها بانتباه قبل تركيب واستخدام الجهاز.  
تم تصميم هذه الآلة لكي يستخدمها أشخاص بالغين مسموح لهم باستخدامها. يرجى ألا يلمسها الأطفال أو أن يستخدموها كلعبة.  
هذه الآلة مخصصة حصريًا للاستخدام المهني.

من الخطر تعديل أو محاولة تعديل مواصفات هذه الآلة.

بعد تركيب الآلة، تأكد أنها لا تستند على كابل كهرباء.

اتبع التعليمات المعطاة من أجل الاستخدام.

يجب تخزين واستخدام هذه الآلة داخل مكان، بعيدًا عن الرطوبة والحرارة.

يجب أن يكون هناك إضاءة كافية لهذه الآلة للقيام بالعمل.

مستوى صوت هذه الآلة أقل من 75 ديسيبل وفقًا للمعيار EN ISO 3744.

يجب أن يستخدم هذه الآلة شخص واحد في الوقت الواحد (ما لم يوجد تعليمات مخالفة).

هذه الآلة مخصصة لتقطيع الخبز الناضج والمعتدل الحرارة.

**هذه الآلة غير مخصصة لأنواع الخبز والخامات التالية:**

- الخبز الساخن، الخبز البائت
- الخبز المجدد، أو تم إزالة تجميده جزئيًا
- الخبز الكامل بقشرة صلبة وأنواع أخرى من الخبز ذو القشرة الصلبة
- خبز الجاودار
- منتجات غير غذائية مثل الخشب والبلاستيك والخامات الشبيهة
- أي طعام لا ينتمي لفئة الخبز أو الكعك

يمكن أن تتلف الآلة أثناء قطع الخبز أو الخامات غير المصرح بها.



افصل دائمًا التيار الكهربائي قبل القيام بالتنظيف الداخلي/الخارجي للجهاز وقبل عمليات الصيانة.



هذا الجهاز ثقيل الوزن. اتخذ كل احتياطات الأمان أثناء مناولته.

## 4 المواصفات الفنية

### 4.1 المواصفات الفنية

ZIP	
775	الارتفاع (مم)
382	العرض (مم)
654	العمق (مم)
120	عرض قناة الإدخال (مم)
80	ارتفاع قناة الإدخال (مم)
800 × 860 × 1600	الحجم (مم)
35	الوزن الصافي (كجم)
45	الوزن الصافي + عبوة التغليف (كجم)
0.49	قوة الموتر (كيلو واط)
أحادي الفازة	نوع الموتر
5	220 فولت - 50 هرتز (A)
120	السعة (لفة/دقيقة)
300	قطر الشفرة (مم)
75 >	المستوى الصوتي (ديسيبل)

اختياري	قاعدة من الفولاذ المقاوم للصدأ
اختياري	حامل الأوعية
اختياري	أوعية استرجاع

### 4.2 تفاصيل الخامات الملامسة بشكل مباشر للعجين.

- قناة القطع: فولاذ مقاوم للصدأ 430
- دليل جانبي: فولاذ مقاوم للصدأ 430
- دليل علوي: فولاذ مقاوم للصدأ 430
- شفرة: فولاذ مقاوم للصدأ
- قلايات خروج الخبز: فولاذ مقاوم للصدأ 430

## 5 التركيب والتشغيل

### 5.1 فك تغليف الآلة:

شباع الآلات، عند خروجها من ورشنا، على ألواح، ومربوطة بأشرطة ومحمية بورق الكرتون. قبل القيام بأي شيء، يجب فحص العبوة وإبلاغ شركة التوصيل مباشرة بأي تلف ناتج عن النقل.

- اسحب الكرتونة وكذلك كيس تغليف الآلة.
- انزع الأشرطة مع الانتباه بشكل خاص ارتخاء هذه الأخيرة أثناء قطعها.
- أفضل الجهاز من على الألواح بأن تنزع الشرائح الخشبية التي تعرقل حركة القوائم.
- أنزل الآلة من على اللوح. أحرص على أن يقوم شخصان على الأقل بهذا الأمر من أجل تخفيف التلامس مع الأرض بشكل أفضل.



بعد إخراج الآلة من الكرتون، تحقق أنها لم تتعرض للتلف أثناء النقل. وأبلغنا بأي عطب.

## 5.2 الموضوع:

للحصول على أداء ممتاز وفعالية على المدى الطويل، اختر موضع:

جيد التهوية، بعيداً عن أشعة الشمس المباشرة وبعيداً عن مصادر الحرارة مع سطح مسنوّ وقوي وخالي من الاهتزازات.

## 5.3 التوصيل الكهربى:

هام: توصيل الطرف الأرضي إلزامى.

يُنصح بحماية التمديدات الكهربائية بمنصهر وقاطع تيار تفاضلي.

يجب حماية التمديدات الكهربائية التي تُغذي الآلة كما هو مُبين أدناه:

- أمريكا الشمالية: حماية 15 أمبير؛

بقية دول العالم: حماية 16 أمبير.

بالنسبة للآلات المجهزة بمُغيّر كهربائي، فيجب توصيله على غلبة التفريغ على خط مجهز بقاطع تيار تفاضلي 300 ملي أمبير.

ملحوظة: أي مشكلة ناجمة عن التوصيل بشكل آخر لن يشملها الضمان.

قبل توصيل الآلة على شبكة الكهرباء ومن أجل تجنب وقف تشغيل الموتور عند توصيله بالكهرباء، من المهم التحقق من توافق شبكة الكهرباء مع مواصفات الآلة (انظر لوحة البيانات لهذه الآلة).

يتوافق هذا الجهاز مع التعليمات الخاصة بالآلات 42/2006 و 95/2006 و 108/2004 ويحمل علامة CE التي تشهد بذلك.

يرجى الاطلاع على الصور التوضيحية المتعلقة بالآمان الموجودة على الآلة:

صورة توضيحية تشير إلى وقت توقف كامل للشفرة لمدة 2 دقيقة بعد انطفاء الآلة. سوف تجدها خلف الآلة، بالقرب من مفتاح قطع الكهرباء الرئيسي. (fig. 10,n°23)



صورة توضيحية تشير إلى خطر حدوث جرح. سوف تجدها في مقدمة الآلة حول منطقة خروج الخيزر. (fig. 10,n°24)



سوف تجد الرسم التخطيطي الكهربى للآلة على ظهر الصندوق الكهربى. (fig. 10, 25)

## 5.4 التشغيل:

قبل التشغيل، تأكد من عدم وجود أي شيء دخيل على الأجزاء المتحركة للآلة.

تأكد أولاً (بعد التحقق من التوافق الكهربى) أن الموتور يدور في الاتجاه الصحيح. إذا توقف الشفرة في مجرى القطع وحصل خطأ في الآلة، افصل الكهرباء على الفور وقم بقلب سلكين للفازة في المقبس.

لاستخدام الآلة، راجع فصل "الاستخدام".

## 5.5 خطر:

في حالة وجود خطر على المستخدم أو على الآلة، يجب عليك أن تستخدم مفتاح القطع العمومي لفصل التيار الكهربائي عن الآلة.

اسحب القابض من المقبس الكهربائي قبل القيام بأية عملية صيانة وفحص؛  
لا تلمس الشفرة، حتى أثناء التوقف.

عند تغيير الشفرة، اطلب من الموزع المعتمد أن يقوم هو بالعملية.

أحرص على ارتداء قفازات حماية من الجروح أثناء استبدال الشفرة أو أثناء القيام بعملية قريبة من الشفرة.

أي عملية صيانة أو استبدال قطعة غيار يجب أن تتم بواسطة شخص مؤهل.

## 6 جهاز التحكم والأمان

### 6.1 جهاز التحكم:

القطاعة مجهزة على التوالي بمفتاح قطع التشغيل (fig. 2, N°13)

### 6.2 منطقة العمل:

توجد منطقة العمل أمام الآلة (fig.3 n°15)

### 6.3 أجهزة الأمان:

هذه الآلة مجهزة بـ:

مفتاح أمان لقطع التيار (fig. 7 n°18)

والذي يمنع الآلة من العمل عندما ننزع غطاء الآلة (fig.1 n°2)

قلاب خروج الخبز (fig. 7 n°17)

والذي يمنع لمس شفرة الآلة (fig.9 n°19).

## 7 الاستخدام

### ضبط الآلة (fig.4,5)

- ضع الخبز في أعلى قناة الآلة واضبط عرض القناة بأن تفك الترسين وأن تعمل على انزلاق الدليل الجانبي حتى الخبز
- قم بنفس الشيء مع ترس ضبط الدليل العلوي
- اضبط عمق قطع الخبز وفقا لعلامة لمبة البيان (fig.5 n°16)
- اضبط ارتفاع القطع في الخبز بالاستعانة بالترس

### خطوات الاستخدام

- قم بتشغيل الآلة بالاستعانة بمفتاح قطع التيار (fig.5) (fig.2 n°13)
- ضع الخبز من أعلى القناة في الآلة
- استقبل الخبز المقطع (fig.6)



**8.1 يومية بواسطة مستخدم مُدرّب.**

- A. قم بتنظيف المناضد (fig.1 n°1, 10) باستخدام فرشاة
- D. استخدم قطعة قماش جافة للتنظيف من الداخل
- E. بالنسبة للعناية الخارجية، استخدم قطعة قماش رطبة

**8.2 سنوية بمعرفة وكيل معتمد.**

- A. اسحب القابس من مقيس الكهرباء (fig.2 n°14)
- B. تحقق من حالة شفرة القطع (fig.9,n°19).
- C. إذا لاحظت انخفاض جودة القطع، يجب القيام باستبدال شفرة القطع (الرقم المسلسل لدى شركة JAC: 610022 من كتالوج قطع الغيار JAC)
- D. إذا كان لابد من تغييرها، استبدل الشفرة وفقاً لإجراء تغيير شفرة القطع (fig.8,9)
- E. قم بالتنظيف باستخدام فرشاة واشطف داخل الآلة.

تأكد من أن الوكيل المعتمد يقوم بتسجيل زيارته في دفتر الصيانة من أجل الحفاظ على ضمان الـ 5 سنوات.

**8.3 تغيير الشفرة.**

(fig.8,9)

احرص دائماً على ارتداء قفازات حماية من الجروح (معيار EN 388: 2003 مؤشر B=5) وأحذية أمان أثناء استبدال الشفرة أو أثناء عملية قريبة من الشفرة.

بعد التأكد أن قابس الآلة (fig.2 n°14) مفصلاً جيداً عن التيار الكهربائي

استبدال الشفرة:

- أ. قم بفك التروس الثلاثة الموجودة أعلى الغطاء.
- ب. قم بفك الترسين اللذين الموجودين على الجانب الأيمن للغطاء.
- ج. اسحب غطاء الآلة
- د. قم بإدخال مفك براغي إلى ثقب الشفرة مع التأكد أن مفك البراغي يمر أيضاً في الثقب المخصص في شاسية الآلة من أجل عرقلة دوران الشفرة. استعمل مفتاح سداسي مقاس 17 مم من أجل فك الشفرة. انتبه، هذه الصامولة هي صامولة ذات لولبية معكوسة. يرجى الفك في اتجاه عقارب الساعة.
- هـ. انزع الصامولة (fig.9. N°21)، والوردة (fig9 n°22) والجنبية (fig9,n°20) من أجل سحب الشفرة (fig.9 n°19).
- و. اسحب الشفرة مع عمل حركة دوران من أجل إخراج الدليل الجانبي.

ز. كرر الخطوات (و) و (هـ) و (د) بهذا الترتيب مع الوضع في الاعتبار أنه يجب ربط الصامولة (fig.9 n°19) في عكس اتجاه عقارب الساعة.

قم بتوصيل الآلة بالتيار الكهربائي، فتكون الآلة جاهزة.

تأكد من أن الوكيل المعتمد يقوم بتسجيل زيارته في دفتر الصيانة من أجل الحفاظ على ضمان الـ 5 سنوات.

برجاء ملاحظة أن الشفرة قابلة للشد، اتصل بالوكيل المعتمد من أجل مزيد من المعلومات.

## 9 قطع المستهلكات

أثناء طلب قطعة غيار، تأكد مع الوكيل المعتمد بشأن القطعة المطلوبة على أساس كتالوج قطع الغيار الذي أصدره الصانع. حدد دائما رقم الآلة كما هو مبين على لوحة البيانات. ويقوم الوكيل بعمل الطلبات لدى شركة JAC.

### 9.1 قائمة بالمستهلكات

رمز الصنف	التوصيف الجدي	النموذج
6110022	CIRCULAR BLADE, Ø 200 MM	ALL
5310113	LOAF HOLDER SPRING	ALL
5310107	MOTOR SPRING	ALL

## 10 الأحداث العارضة أثناء التشغيل

التحقق	المشكلة
قم بتوصيل الآلة باستخدام الكابل (fig.2 n°14)	الآلة لا تعمل
شغل مفتاح قطع التيار الرئيسي (fig.2, n°13)	
تحقق أن الغطاء موضوع جيدا في مكانه (fig2, n°3, 5, 7)	
تحقق إذا كان يجب استبدال الشفرة (fig.8)	الآلة تعمل، لكن الخبز تالف أو مقطع بطريقة غير متساوية
اترك الخبز يبرد لعدة ساعات	
ضع الخبز بالمقاسات المقبولة	
ضع خبز إلى حد ما ناشف	

انتبه: قبل القيام بأية إصلاحات، يجب فصل التيار عن الآلة.

إذا استمرت المشكلة بعد ذلك، يرجى الاتصال بالفني.



## 11 قائمة بالمكونات الموجودة في الأشكال

الاسم	الرقم	شكل
قناة دخول الخبز	1	1
الغطاء	2	
تثبيت الصندوق	3	
ضبط عرض القناة	4	
تثبيت الصندوق	5	
نافذة معاينة	6	
تثبيت الصندوق	7	
ضبط عرض القناة	8	
ضبط ارتفاع الخبز	9	
قناة الخروج	10	
ضبط ارتفاع القطع	11	2
تثبيت الصندوق	12	
مفتاح قطع رئيسي	13	
كابل الكهرباء	14	
منطقة عمل	15	3
لمبة بيان لعمق القطع	16	5
قلاب خروج	17	7
أمان	18	
شفرة	19	9
جنيبة الشفرة	20	
صامولة الشفرة	21	
وردة	22	
صورة توضيحية "زمن توقف الشفرة"	23	10
صورة توضيحية "خطر حدوث جرح"	24	
رسم تخطيطي كهربائي	25	
صورة توضيحية لعمق القطع	26	

fig.1

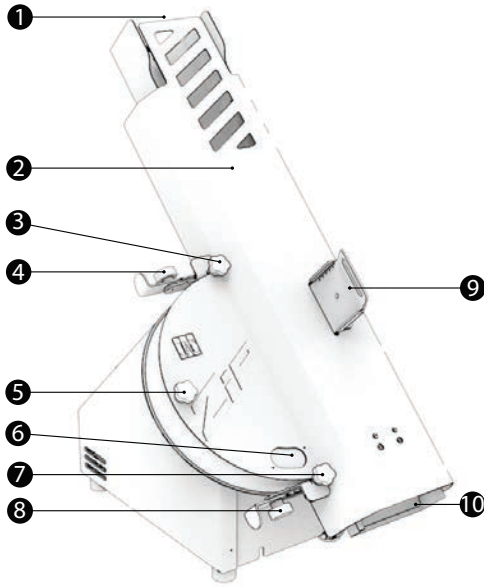


fig.2

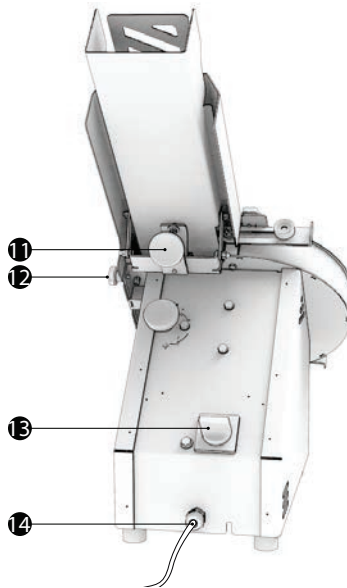


fig.3

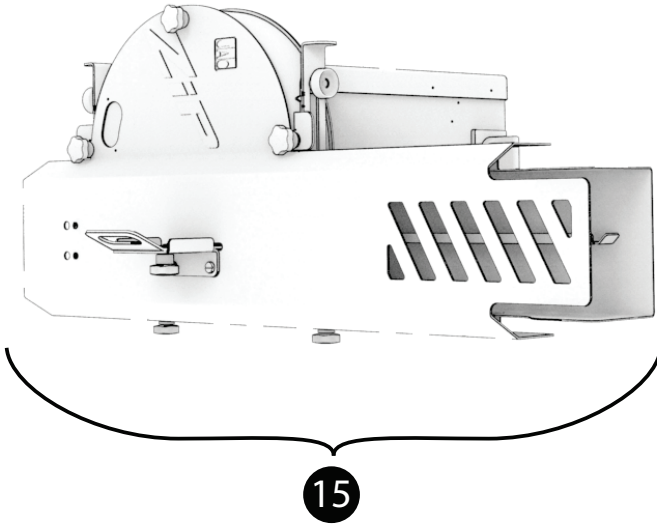


fig.4

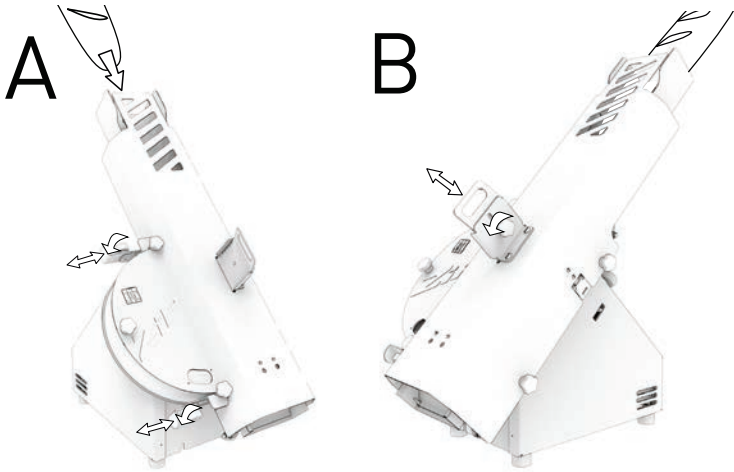
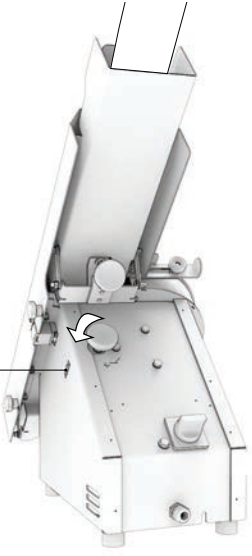
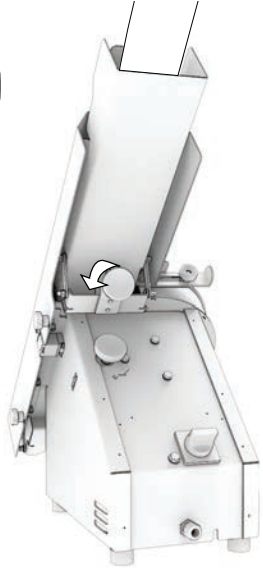


fig.5

C



D



E



F

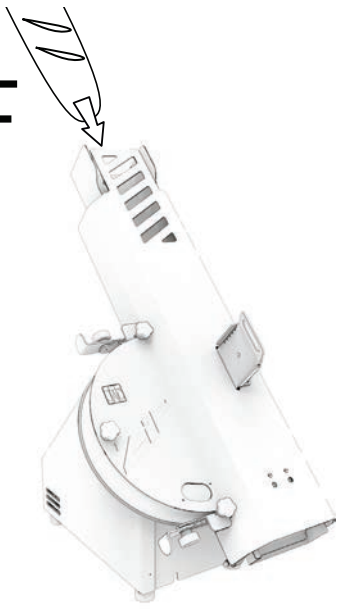


fig.6

G

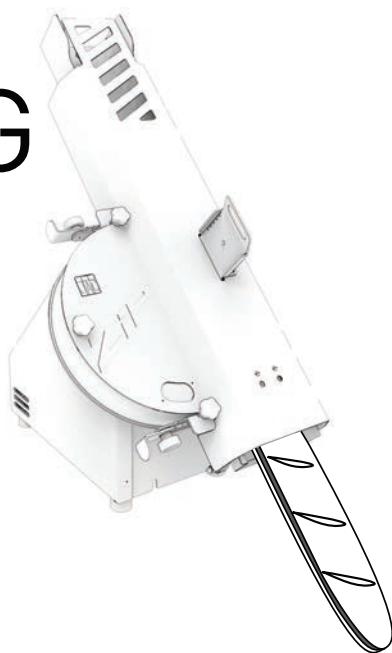


fig.7

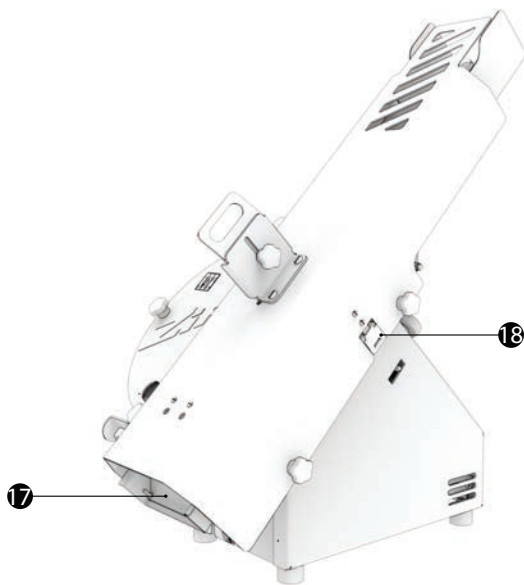
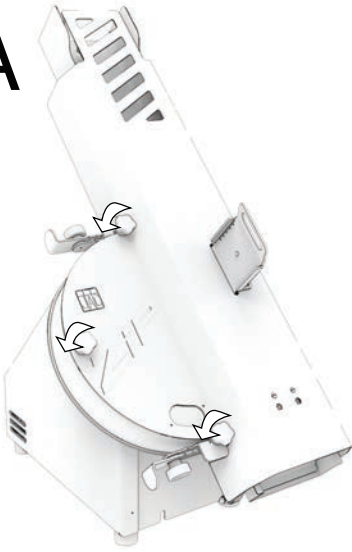
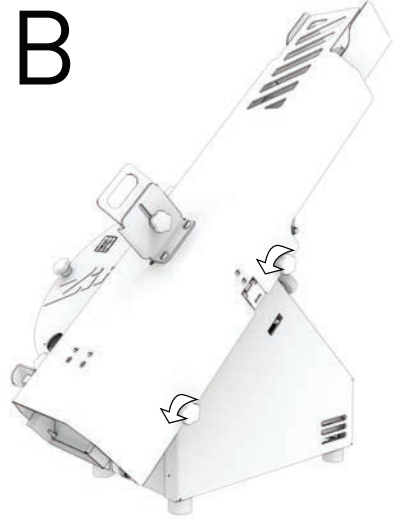


fig.8

A



B



C

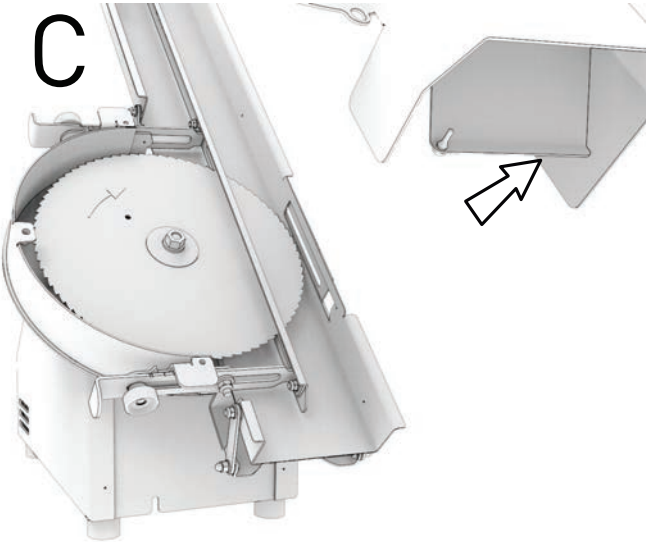
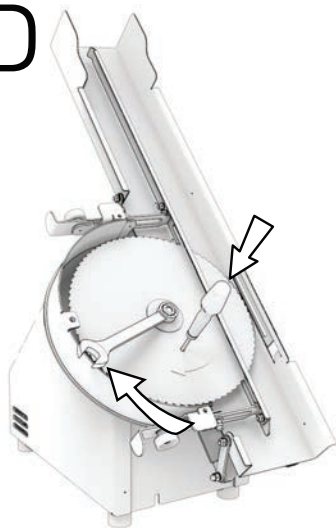


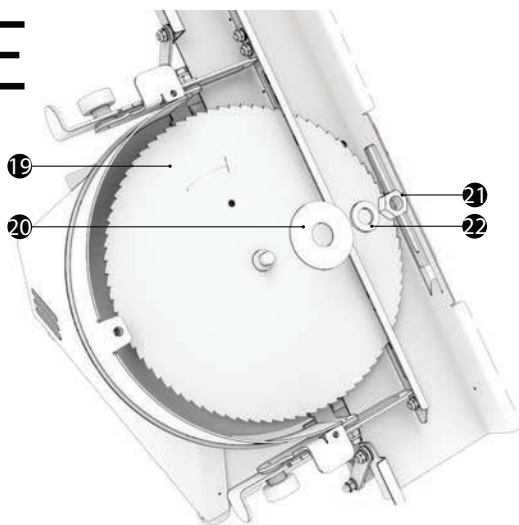


fig.9

D



E



F

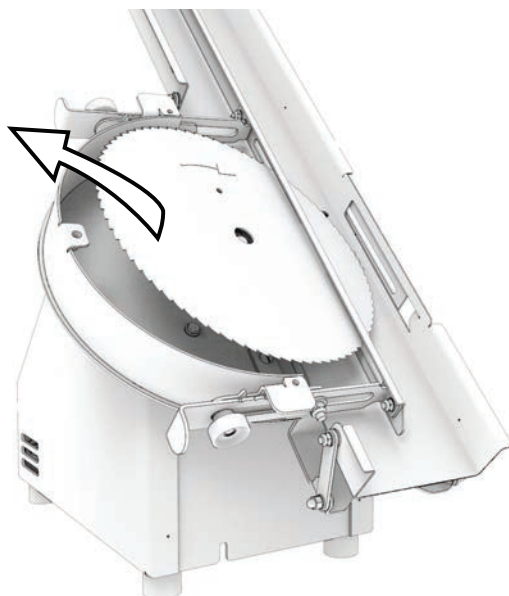
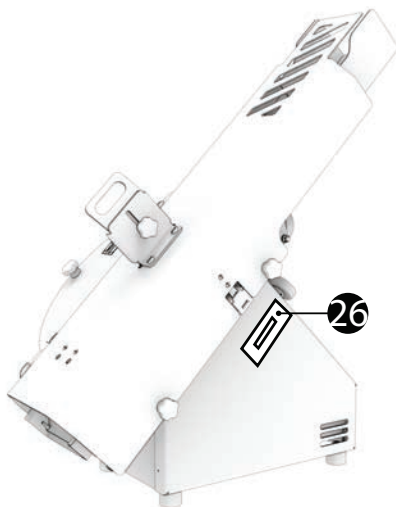
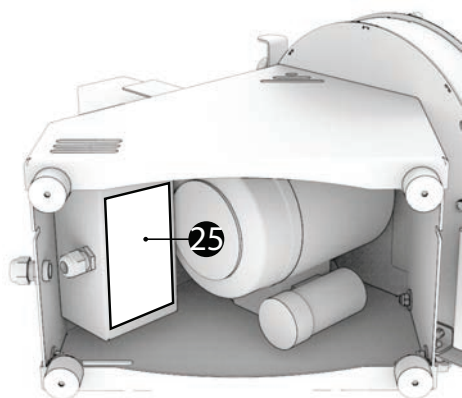
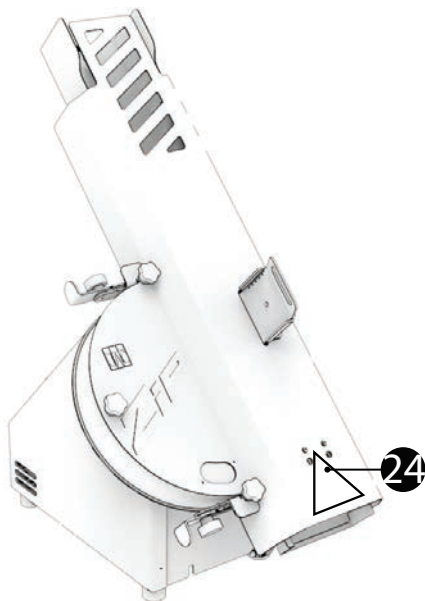
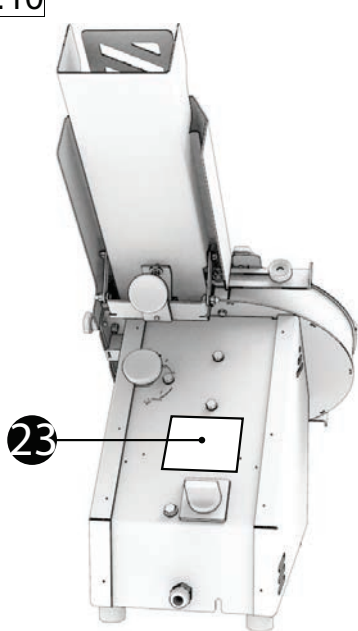


fig.10







Traditionally Innovative

CONFORMITY CERTIFICATE TO THE EUROPEAN DIRECTIVES.  
CERTIFICAT DE CONFORMITE AUX DIRECTIVES EUROPEENNES.  
KONFORMITÄTSZEUGNIS AN DIE EUROPÄISCHEN RICHTLINIEN.  
GETUIGSCHRIFT VAN OVEREENSTEMMING MET DE EUROPESE RICHTLIJNEN.  
CERTIFICATO DI CONFORMITÀ ALLE DIRETTIVE EUROPEE.  
CERTIFICADO DE CONFORMIDAD CON LAS DIRECTIVAS EUROPEAS.  
СЕРТИФИКАТ СООТВЕТСТВИЯ ЕВРОПЕЙСИМ ДИРЕКТИВАМ.  
شهادة المطابقة مع التعليمات الأوروبية.



- EN** The undersigned certifies that the machine complies with the European Directives 2006/42, 2006/95, 2004/108.
- FR** Le soussigné déclare que cette machine est conforme aux directives européennes 2006/42, 2006/95, 2004/108.
- DE** Unterzeichneter erklärt, daß diese Maschine den Europäischen Richtlinien 2006/42 2006/95, 2004/108.
- NL** Ik ondertekende verklaart dat deze machine in overeenstemming met de Europese richtlijnen 2006/42, 2006/95, 2004/108.
- IT** Il sottoscritto dichiara questa macchina conforme alle ultime versioni delle seguenti direttive europee 2006/42, 2006/95, 2004/108.
- ES** El infrascrito declara que esta máquina es conforme con las directivas europeas 2006/42, 2006/95, 2004/108.
- RU** Нижеподписавшееся лицо заявляет, что данное устройство соответствует европейским директивам 2006/42, 2006/95, 2004/108.
- AR** يقر الموقع أدناه أن هذه الآلة متطابقة مع التعليمات الأوروبية أرقام 2006/42 و 2006/95 و 2004/108.

Last update: 01/2017  
Technical files compiled by:  
Pierre-Yves DORSIMONT  
Verte voie, 49- 51  
B-4000 Sclessin  
BELGIUM

Complies with the following (parts of)  
European Harmonised Standards:  
EN 1672-2  
EN 1935  
EN 60204-1  
EN 12100-1  
EN 12100-2 §5, §6  
EN 13954 if applicable  
EN 61000-3-2, -3-3, -6-1, -6-3

B. Van Cauwenberghe  
General Manager  
JAC s.a.